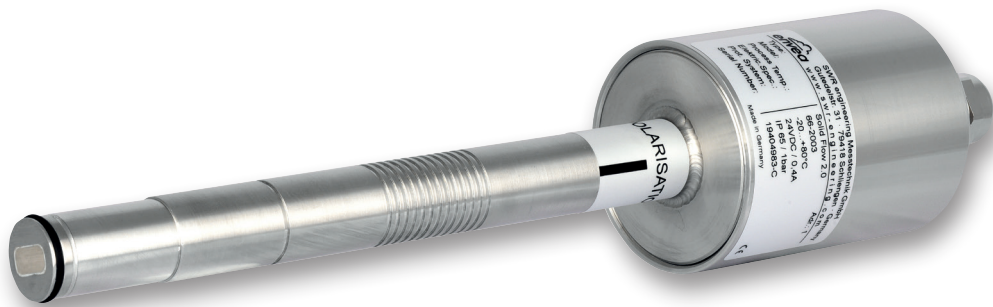




## OPERATING INSTRUCTIONS

# SolidFlow 2.0

SOLID VOLUME MEASUREMENT



For the 1st use of the sensor, correct sensor type should be selected via the screen or the software. Software must be installed if needed.

## 1. SOFTWARE INSTALLATION

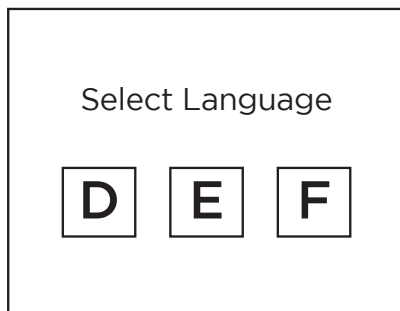
If you want to communicate with our sensor using our dedicated software, you need to download the latest version on our website and install it.

→ <https://www.envea.global/solutions/process-optimization/dahs-software/>

It might also be necessary to install drivers, also available on our website.

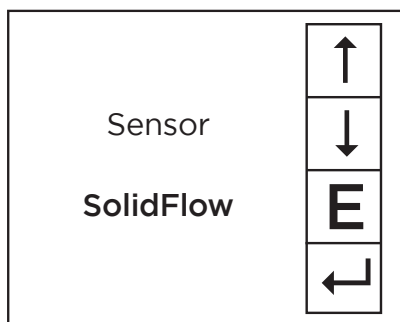
## 2. MSE 300-FH (WITH SCREEN)

The display is touch-sensitive. Available keys are displayed directly in context. When the measuring system is first started, a query is initiated to select the language and sensor.



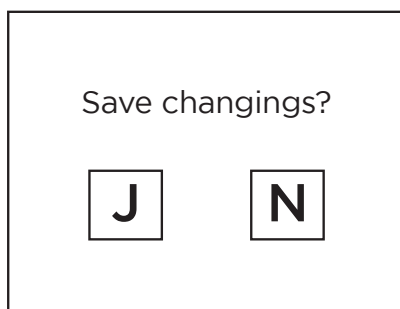
Initialization screen when the Evaluation unit in the field housing started first time.

Selection of the menu language: Deutsch, English, Français.



If a language has been selected, the sensor to be used must be selected. To be available:

SolidFlow 2.0, Paddy, PicoFlow, MaxxFlow HTC, DensFlow, SpeedFlow 2.0, SlideControl 2.0, ProSens, M-Sens 2, M-Sens 3, M-Sens WR, M-Sens WR2.

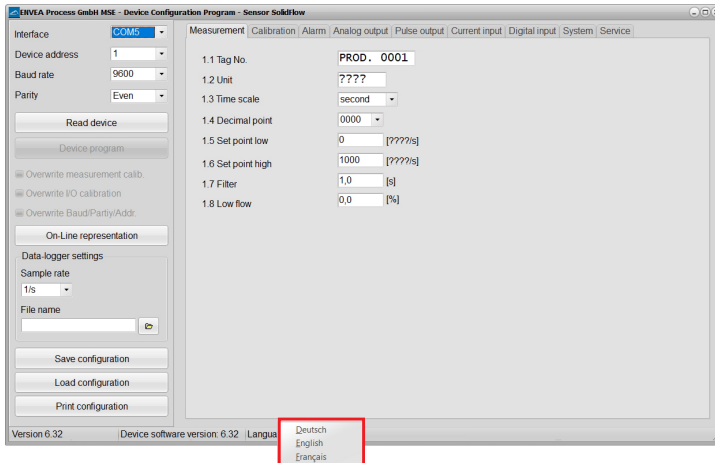


If any data has been changed, the change will only be taken into account when you exit the complete menu structure and answer [Yes] when asked if you wish to save the changes. Afterwards the start page appears.

## 3. MSE 300-DR / -DR2 (NO SCREEN)

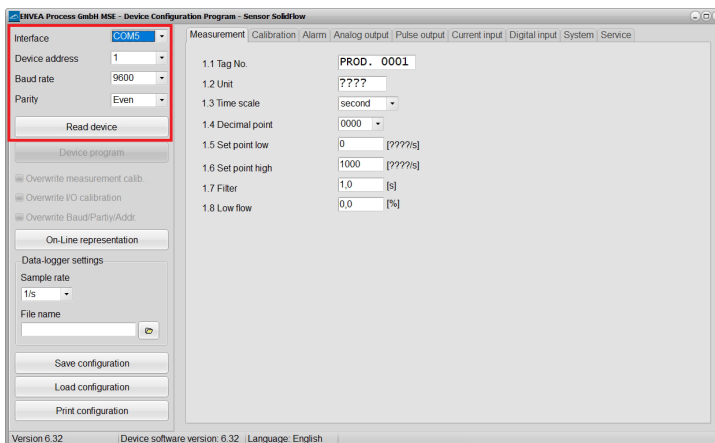
Our dedicated software must be used to connect to the sensor evaluation unit.

### Select software language



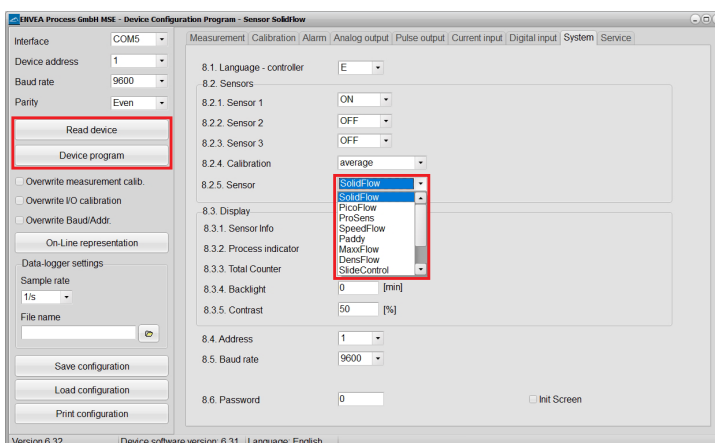
Right click on „Sprache/Language/ Langue“ and select desired language.

### Connect to sensor



Select the correct COM port and connect to the device using the „read device“ button.

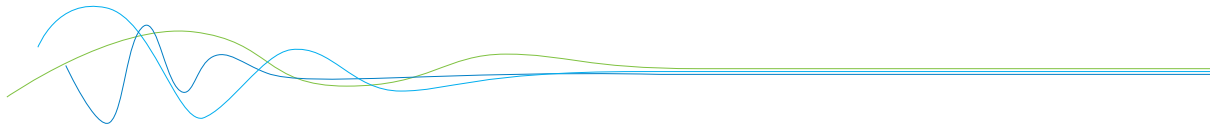
### Select correct sensor



In the menu „System“, under „Sensor“ (8.2.5 or 7.2.5), the correct sensor must be selected.

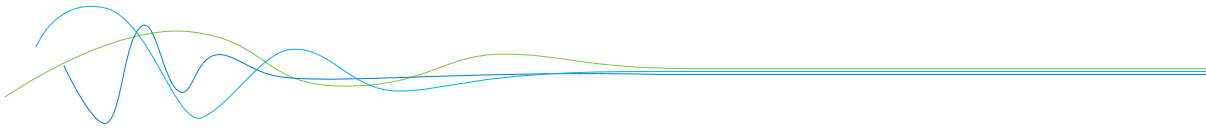
After selecting the sensor, check the box „Overwrite measurement calib.“ and confirm with the button „Device program“.

For more informations and details, please refer to the user manual of the sensor.



## CONTENTS

|  | Page |
|--|------|
| 1. System overview .....   | 3    |
| 2. Function .....  | 5    |
| 3. Safety .....  | 6    |
| 3.1 Normal use .....   | 6    |
| 3.2 Identification of hazards .....                                      | 6    |
| 3.3 Operational safety .....   | 6    |
| 3.4 Technical statement .....  | 6    |
| 3.5 Reliability .....  | 6    |
| 3.6 Storage conditions .....   | 6    |
| 4. Mounting and installation .....                                       | 7    |
| 4.1 Typical components of the measurement point .....                    | 7    |
| 4.2 Required equipment .....   | 7    |
| 4.3 Sensor installation .....  | 7    |
| 4.4 Dimensions .....   | 11   |
| 5. Use in hazardous areas .....  | 13   |
| 5.1 DustEx-Area 22 .....   | 13   |
| 5.2 GasEx-Area 2 .....   | 13   |
| 5.3 DustEx-Area 20/21 .....  | 14   |
| 5.4 GasEx-Area 1/2 .....   | 14   |
| 6. Electrical connection .....   | 15   |
| 6.1 Terminal layout MSE 300-DR .....                                     | 15   |
| 6.2 Terminal layout MSE 300-FH .....                                     | 16   |
| 6.3 Terminal layout C-Boxes .....  | 17   |
| 7. Operator interface .....  | 18   |
| 7.1 Differences between DIN Rail and field housing Evaluation unit ..... | 18   |
| 7.2 Display .....  | 19   |
| 7.3 PC interface .....   | 21   |
| 7.4 One or more sensor system .....                                      | 23   |
| 7.5 Menu structure .....   | 25   |
| 8. Start-up procedure .....  | 38   |
| 8.1 Basic start-up .....   | 38   |
| 8.2 Datenlogger function in the software .....                           | 39   |
| 8.3 Adjusting the measurement values .....                               | 40   |
| 9. Error signalling .....  | 41   |
| 8.1 Compatibility .....  | 42   |
| 8.2 History of versions .....  | 42   |
| 10. Maintenance .....  | 42   |
| 11. Warranty .....   | 43   |
| 12. Fault clearance .....  | 43   |
| 11.1 Error codes .....   | 44   |
| 13. Connection examples .....  | 45   |
| 12.1 Digital input .....   | 45   |
| 12.2 Impulse output .....  | 45   |
| 14. Technical data .....   | 46   |



# 1. System overview

A measuring point consists of the following components:

- Evaluation unit (MSE 300) in the DIN Rail housing or field housing
- Sensor mount for welding to the pipeline
- Sensor (including 2 m cable, fixed connected to the sensor)
- C1- or C3-Box (optional)
- Teflon sleeve (depend on application)

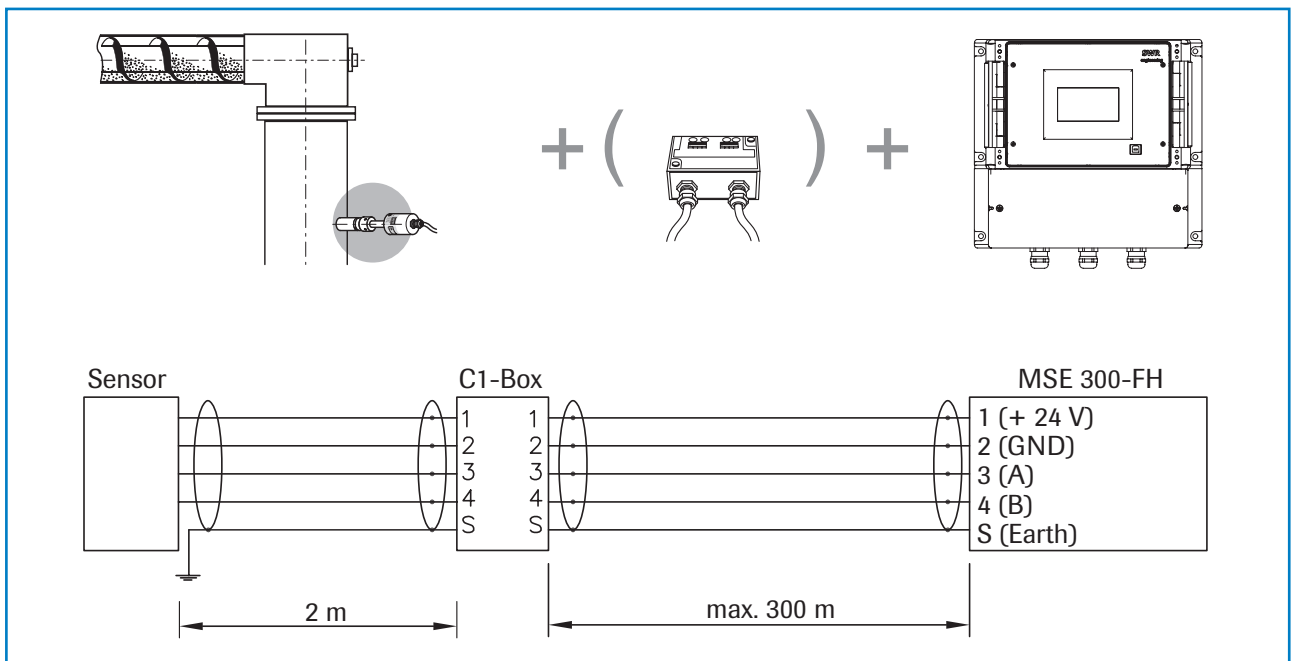


Fig. 1: Overview with C1-Box and MSE 300 in the field housing

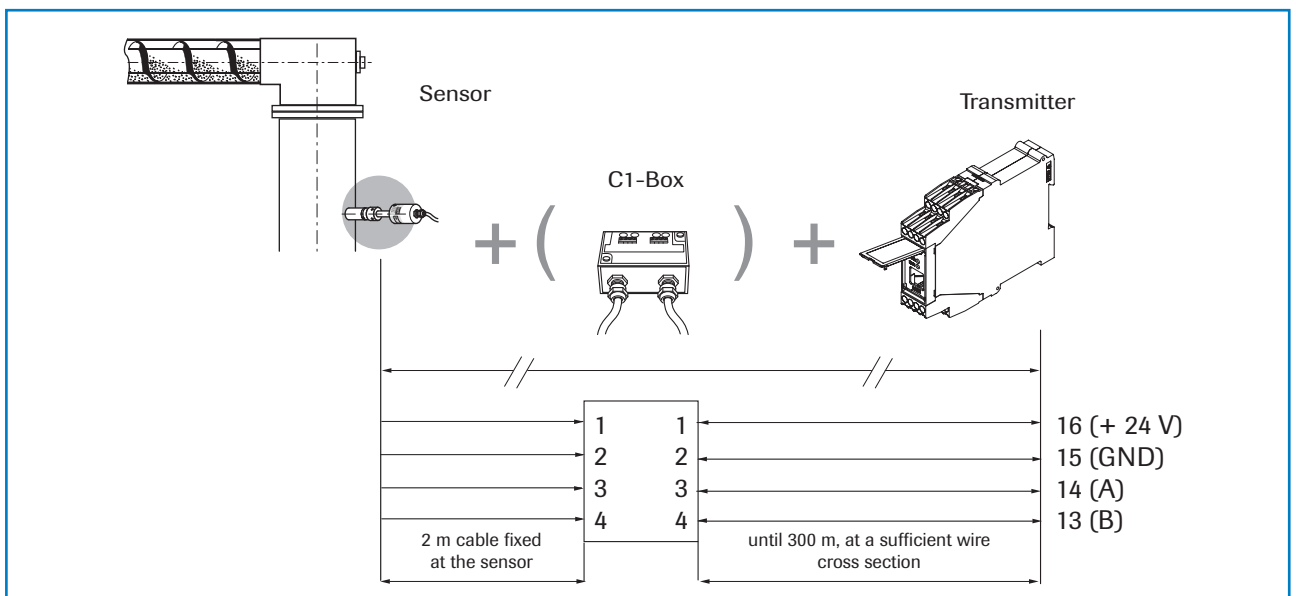
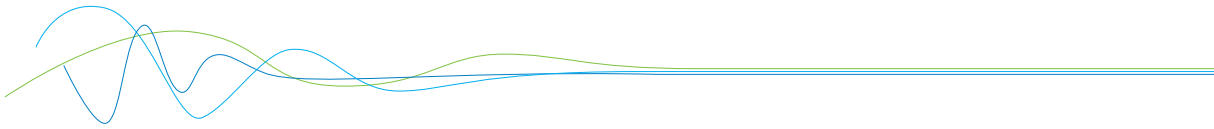


Fig. 2: Overview with C1-Box and MSE 300 in the DIN Rail housing



The system can be equipped with up to three sensors. Different C-Boxes (C1, C3) are used accordingly.

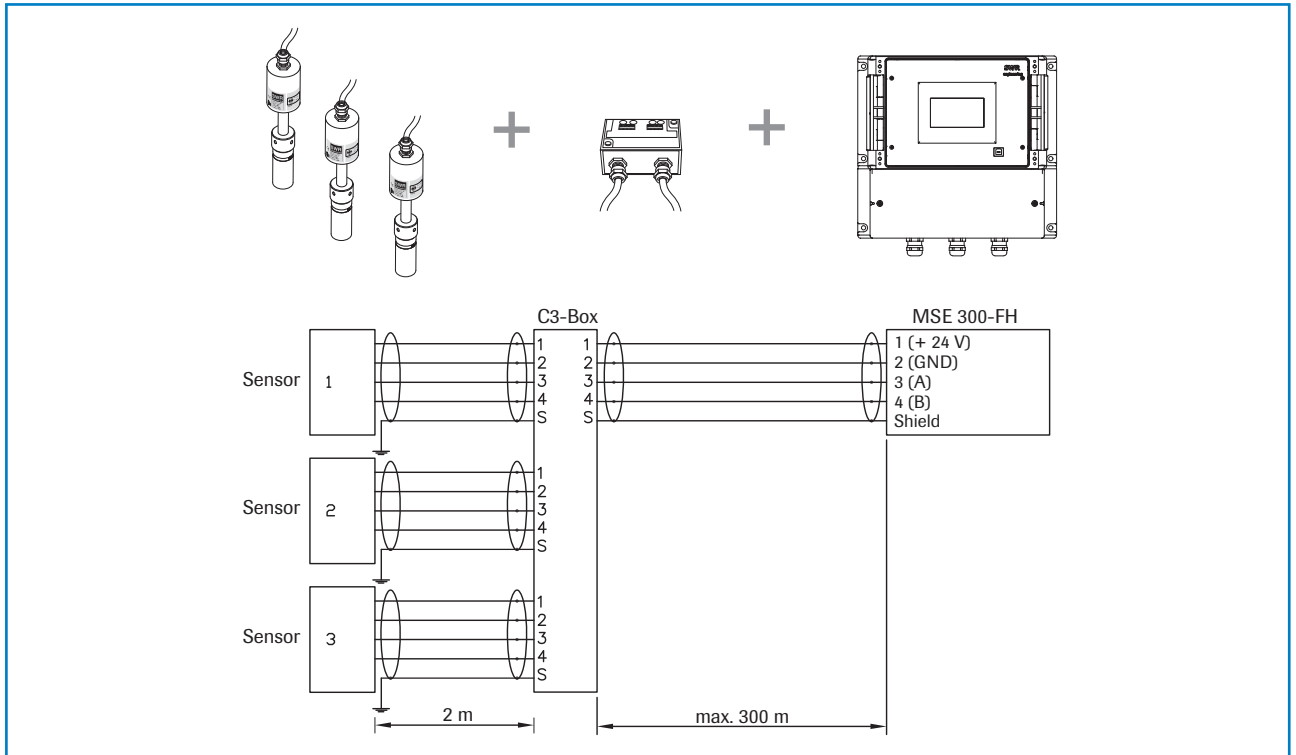


Fig. 3: Overview with C3-Box and MSE 300 in the field housing

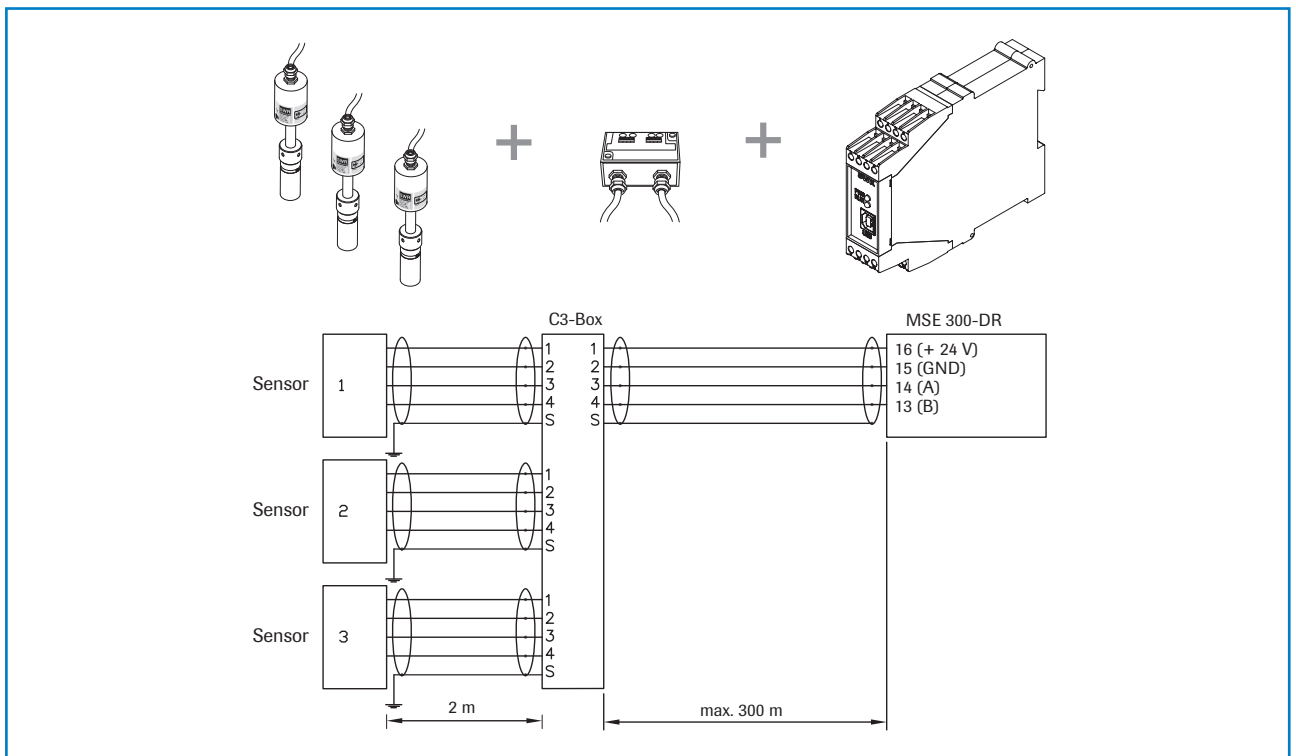


Fig. 4: Overview with C3-Box and MSE 300 in the DIN Rail housing

## 2. Function

- The SolidFlow 2.0 is a measuring system which has been specially developed for measuring the quantity of solids conveyed in pipelines.
- The sensor works with the latest microwave technology. It is only used in metallic pipelines. The special integration of microwave technology together with the metallic pipeline creates a homogeneous measurement field.
- The microwave radiation in the pipeline is reflected by the solid particles and received by the sensor. The frequency and amplitude of the received signals are analysed.
- The frequency-selected evaluation system ensures that only moving particles are measured and deposits are suppressed.
- SolidFlow 2.0 features active stratification compensation which increases measurement accuracy.

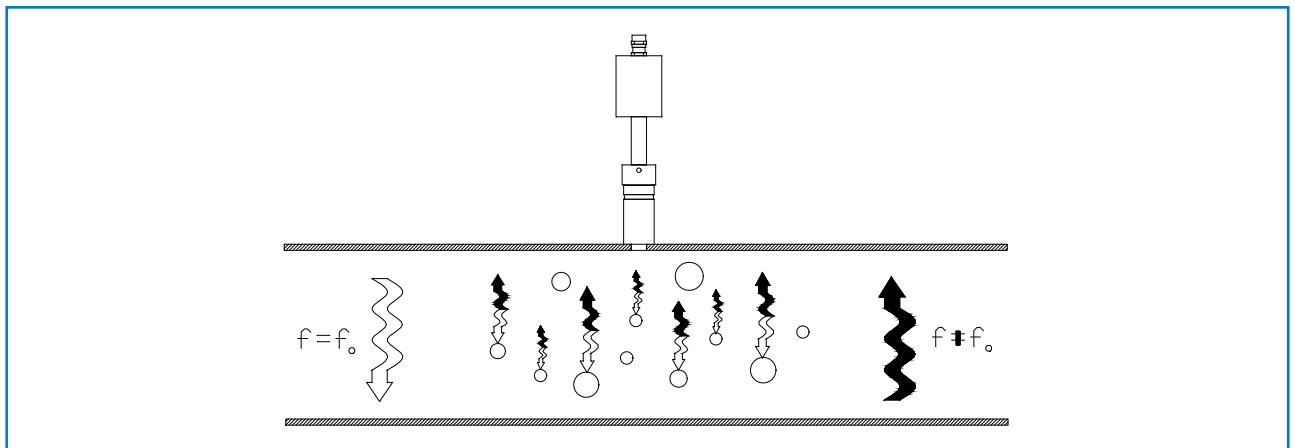


Fig. 5: Integration and reflection of microwaves

### 3. Safety

The SolidFlow 2.0 measuring system has a state of the art, reliable design. It was tested and found to be in a perfectly safe condition when leaving the factory. Nevertheless, the system components may present dangers to personnel and items if they are not operated correctly.

Therefore, the operating manual must be read in full and the safety instructions followed to the letter.

If the device is not used correctly for its intended purpose the manufacturer's liability and warranty will be void.

#### 3.1 Normal use

- The measuring system may only be installed in metallic pipes to measure the medium passing through them. It is not suitable for any other use or measuring system modifications.
- Only genuine spare parts and accessories from ENVEA Process may be used.

#### 3.2 Identification of hazards

Possible dangers when using the measuring system are highlighted in the operating instructions with the following symbols:



##### Warning!

- This symbol is used in the operating manual to denote actions which, if not performed correctly may result in death or injury.



##### Attention!

- This symbol is used in the operating manual to denote actions which may result in danger to property.

#### 3.3 Operational safety

- The measuring system may only be installed by trained, authorised personnel.
- During all maintenance, cleaning and inspection work on the pipelines or SolidFlow 2.0 components, make sure that the system is in an unpressurised state.
- Switch off the power supply before performing any maintenance work, cleaning work or inspections on the pipelines or the SolidFlow 2.0 components. See the instructions in the section entitled maintenance and care.
- The sensor must be taken out of the pipeline before any welding work is performed.
- The components and electrical connections must be inspected for damage at regular intervals. If any signs of damage are found, they must be rectified before the devices are used again.

#### 3.4 Technical statement

The manufacturer reserves the right to adjust technical data concerning technical developments without notice. ENVEA Process will be delighted to provide information about the current version of the operating manual, and any amendments made.

#### 3.5 Reliability

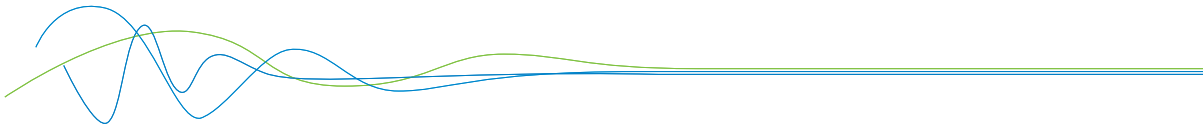
For any additional information concerning product reliability, please contact ENVEA Process.

#### 3.6 Storage conditions

Observe the following instructions during storage:

- To ensure shock resistance, store in original packaging.
- Do not remove protective discs or caps mounted on process connections. They prevent mechanical damage and contamination to the sealing surfaces.
- Protect from sunlight to avoid impermissibly high surface temperatures.
- Store in a dry and dust-free place.
- Do not store outside.





## 4. Mounting and installation

### 4.1 Typical components of the measurement point:

- Evaluation unit (MSE 300) in the DIN Rail housing or field housing
- Sensor mount for welding to the pipeline
- Sensor (including 2 m cable, fixed connected to the sensor)
- Installation instructions
- Teflon sleeve (depend on application)
- C1- or C3-Box (optional)

### 4.2 Required equipment

- Ø 20 mm twist drill bit
- 32 mm open-ended spanner for union nut
- Locking ring pliers (Ø 20 mm) to adjust the sensor to the wall thickness
- approved tools for the electric connection

### 4.3 Sensor installation

Proceed as follows to install the sensor:

- Decide on the installation position on the pipe. It should be installed from the top on horizontal or angled pipelines.
- From a pipe diameter of 300 mm, 2 sensors are used. The sensor must be mounted offset in relation to each other at an angle of 90°.
- From a pipe diameter of 400 mm, 3 sensors are used. The sensor must be mounted offset in relation to each other at an angle of 120°.

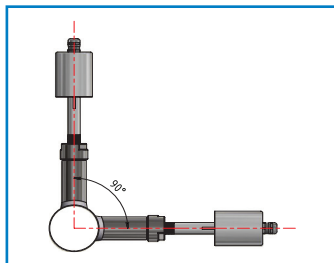


Fig. 6: 2 sensor with 90° offset

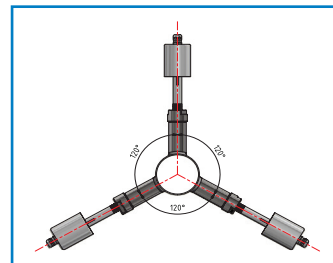


Fig. 7: 3 sensor with 120° offset

- The distances apply to vertical and horizontal installations.
- Ensure that the measurement point is at an adequate distance from valves, manifolds, blowers and bucket wheel feeders and other measurement ports such as those used for pressure and temperature sensors, etc. (see fig. 8)

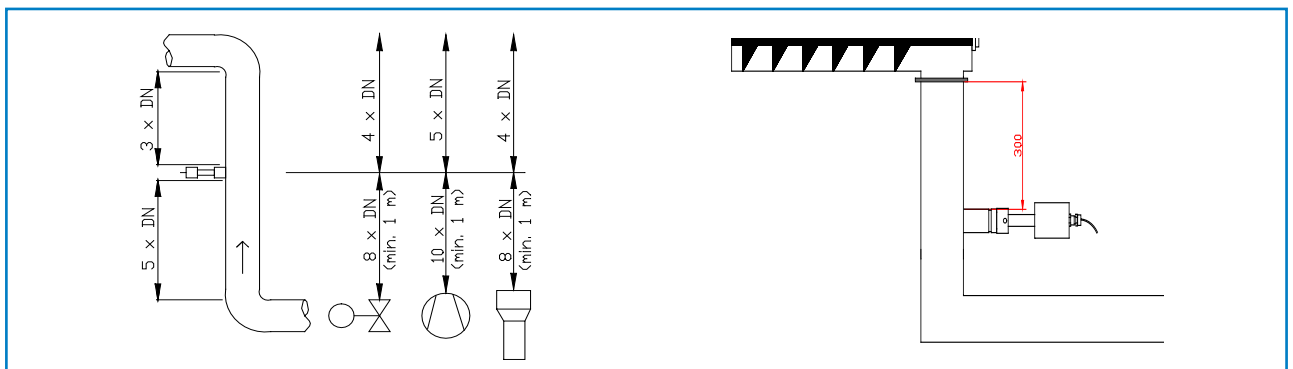
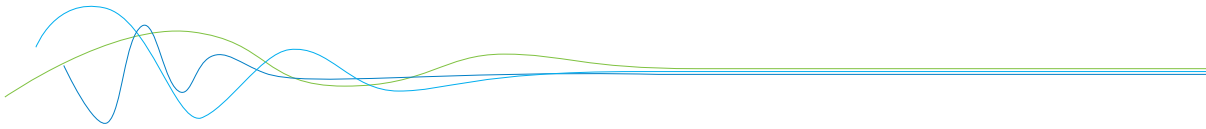


Fig. 8: Minimum distances of the measurement point from pipe geometries and fittings

- On free-fall applications (for example, after screw conveyors or bucket wheel feeders), a drop height of at least 300 mm is ideal.



- Weld the sensor mount to the pipe.
- Drill through the pipe through the sensor plug (Ø 20 mm). Ensure that the borehole is not angled so that the sensor can be installed precisely at a later stage.



**Attention!**

- After drilling, it is essential to check whether the drill bit has caused any burrs on the borehole edges. Any burrs on the pipe must be removed using a suitable tool. If the burrs are not removed they may affect the sensor's calibration.
- If the sensor is not installed immediately insert a plug until it is installed (see also fig. 9). The plug must be inserted together with the seal, two sealing rings and the locking ring, and secured using the union nut. Use a 32 mm open-ended spanner to tighten the union nut.

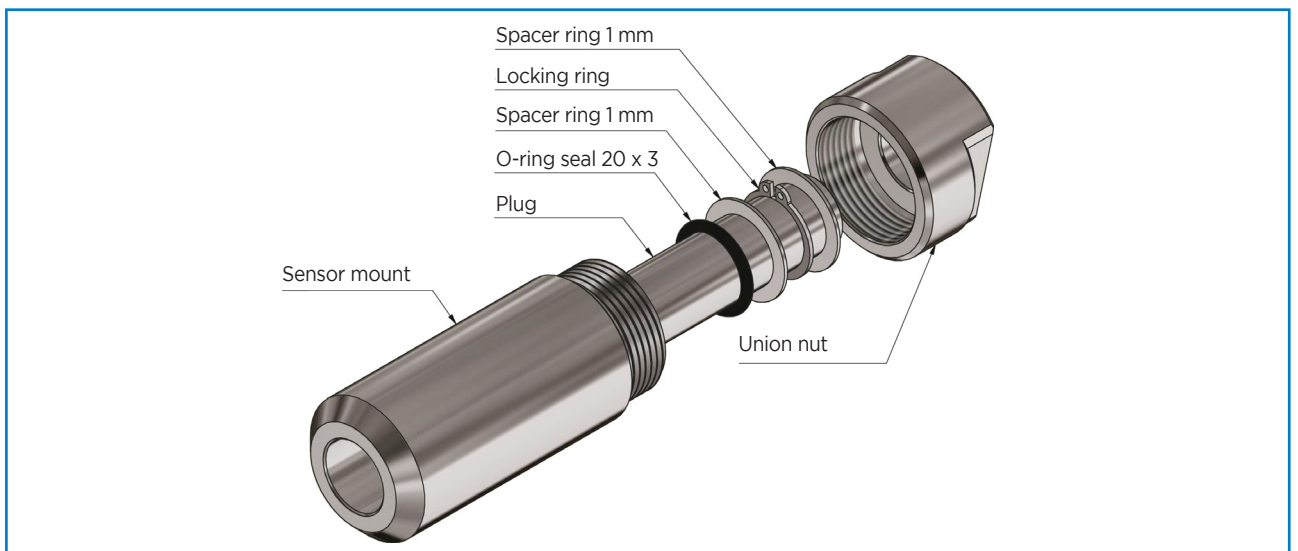


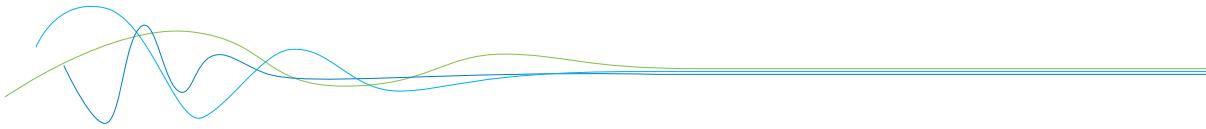
Fig. 9: Installation of the sealing plug in the sensor mount



**Attention!**

- Remove the sealing plug to insert the sensor.
- The sensor is supplied pre-assembled for the specified wall thickness or, if no wall thickness was specified, to a wall thickness of 4 mm. Check again that it is correctly adjusted before installation (see table). If necessary, the wall thickness must be remeasured using a depth gauge. The weld-on socket is 93 mm long. It is important that the sensor does not project into the pipe. The sensor may be up to 1 mm inside the pipe wall without this causing a measurement error.

| Wall thickness (mm) | Position on the sensor neck | Number of spacer rings |
|---------------------|-----------------------------|------------------------|
| 3.0                 | 1                           | 2                      |
| 4.0                 | 1                           | 1                      |
| 5.5                 | 2                           | 2                      |
| 6.5                 | 2                           | 1                      |
| 8.0                 | 3                           | 2                      |
| 9.0                 | 3                           | 1                      |
| 10.5                | 4                           | 2                      |
| 11.5                | 4                           | 1                      |
| 13.0                | 5                           | 2                      |
| 14.0                | 5                           | 1                      |



- Now insert the sensor into the sensor mount as shown in Figure 10.

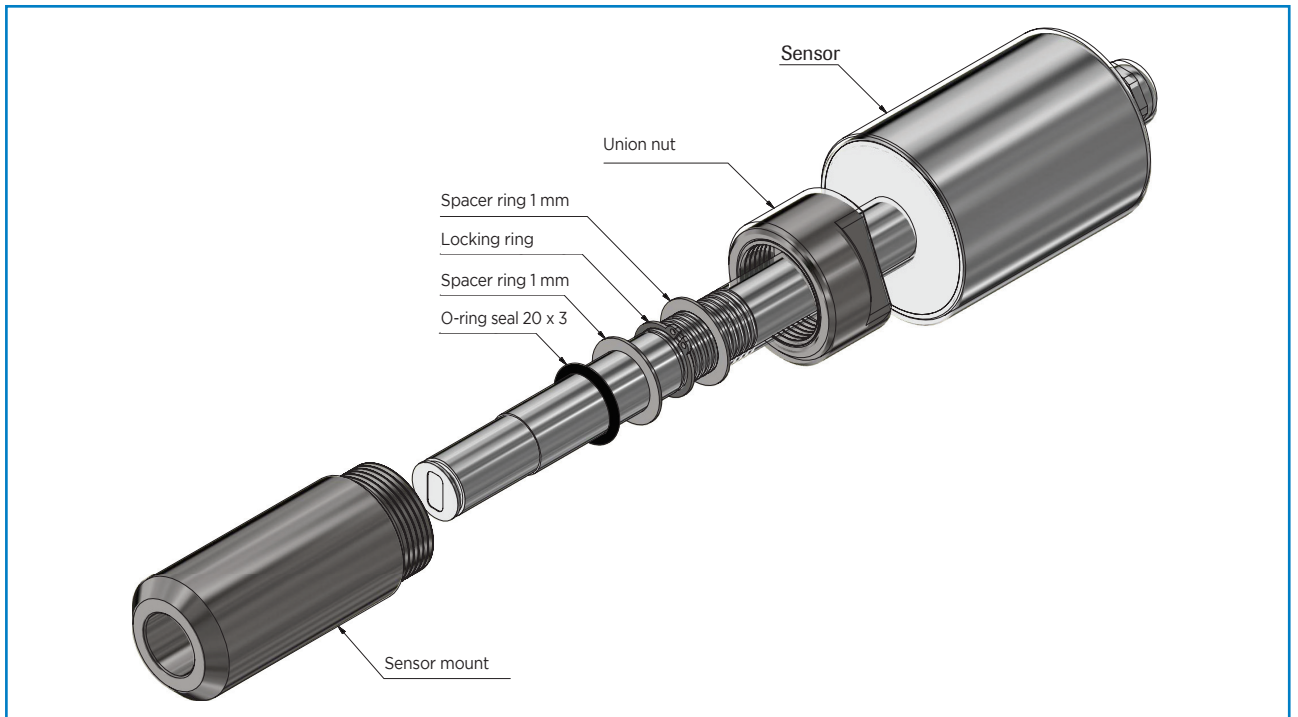


Fig. 10: Install the sensor mount and the sensor

- If a Teflon sleeve is required, the corresponding sensor mount must be drilled out with a 25 mm drill. After drilling, install the Teflon sleeve and sensor as shown in the following figure.

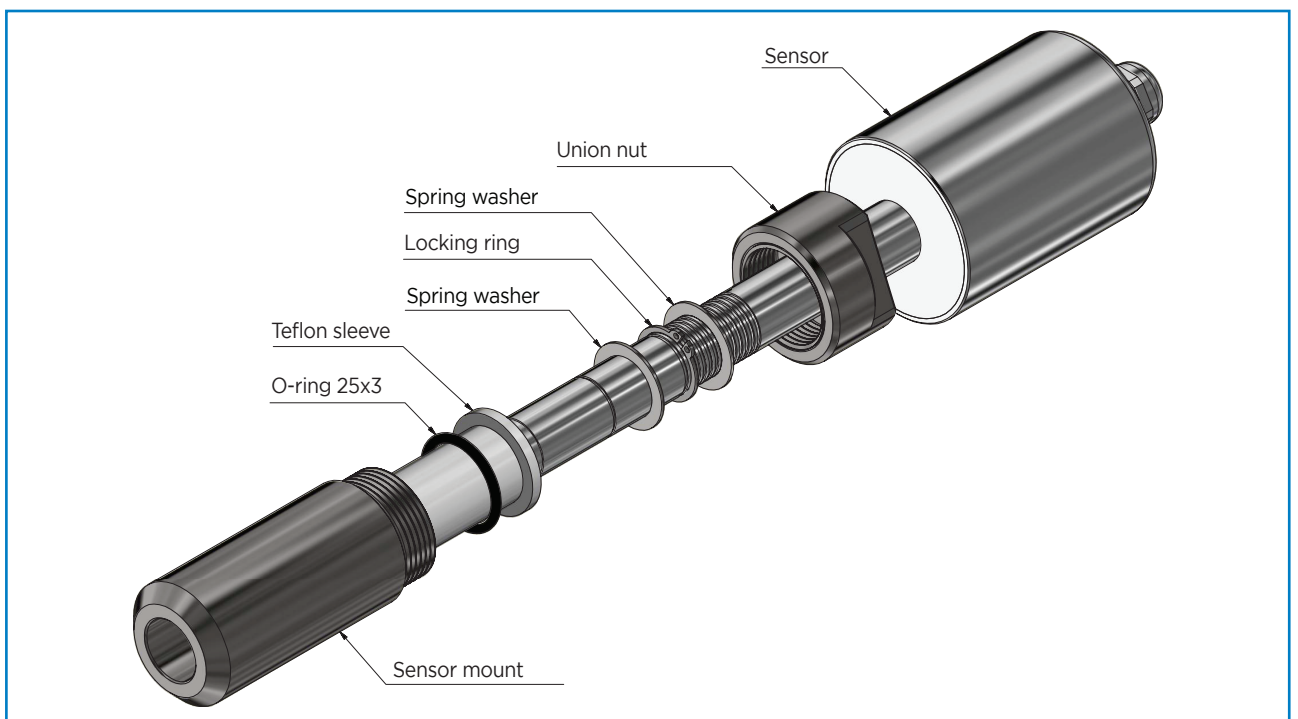
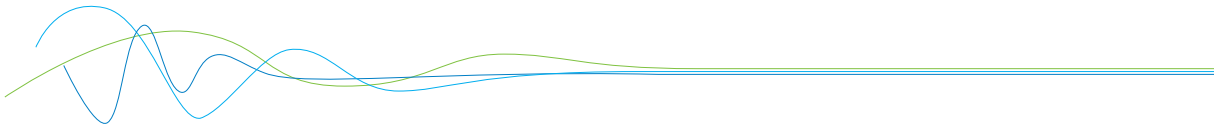
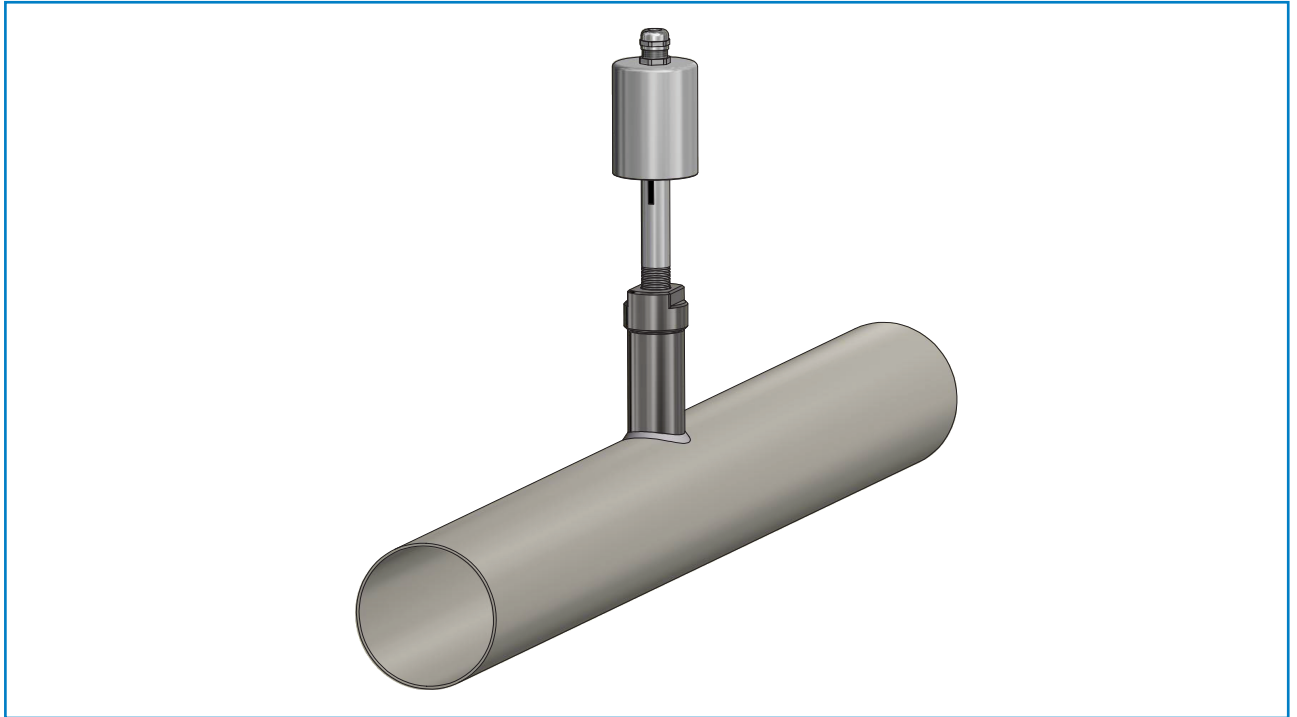


Fig. 11: Installation of sensor with Teflon sleeve



- and align it longitudinally to the pipe axis as shown on the polarisation sticker (Fig. 12). Then seal the measurement point with the union nut.



*Fig. 12: Sensor alignment*

#### 4.4 Dimensions

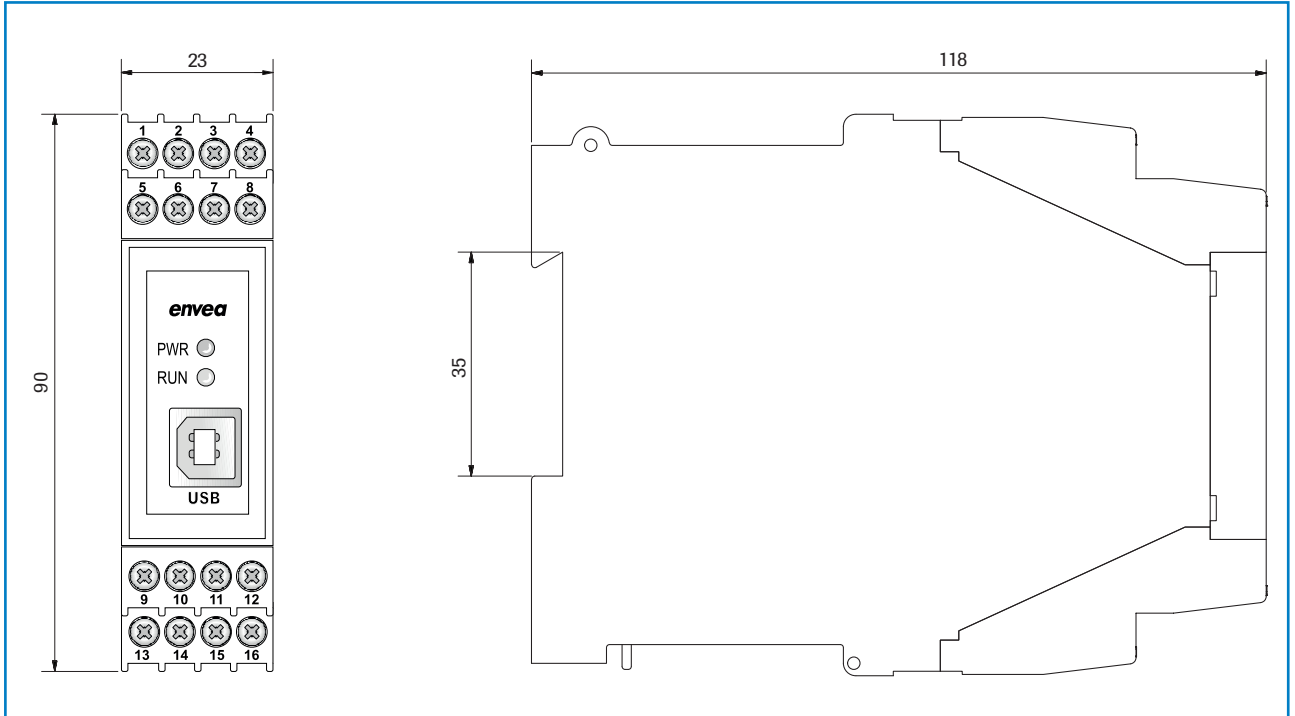


Fig. 13: Dimension of the MSE 300-DR

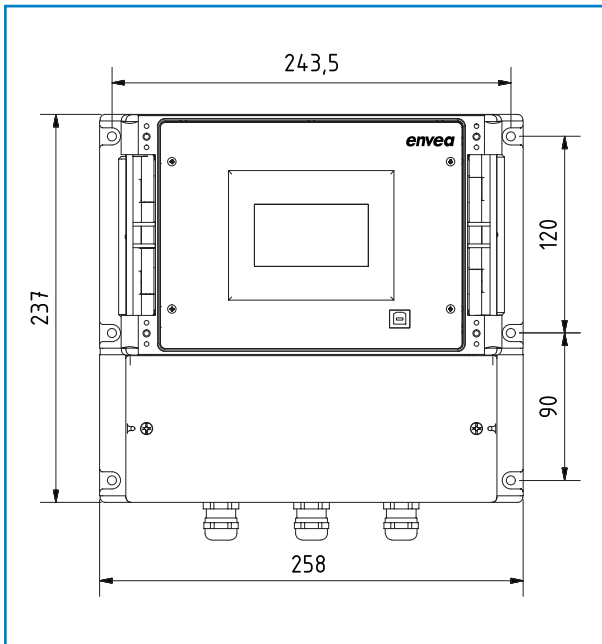


Fig. 14: Dimension of the MSE 300-FH (front)

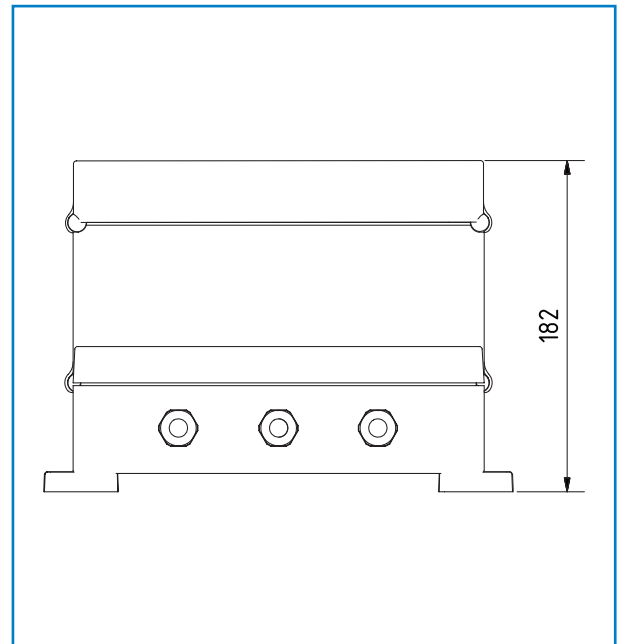


Fig. 15: Dimension of the MSE 300-FH (side view)

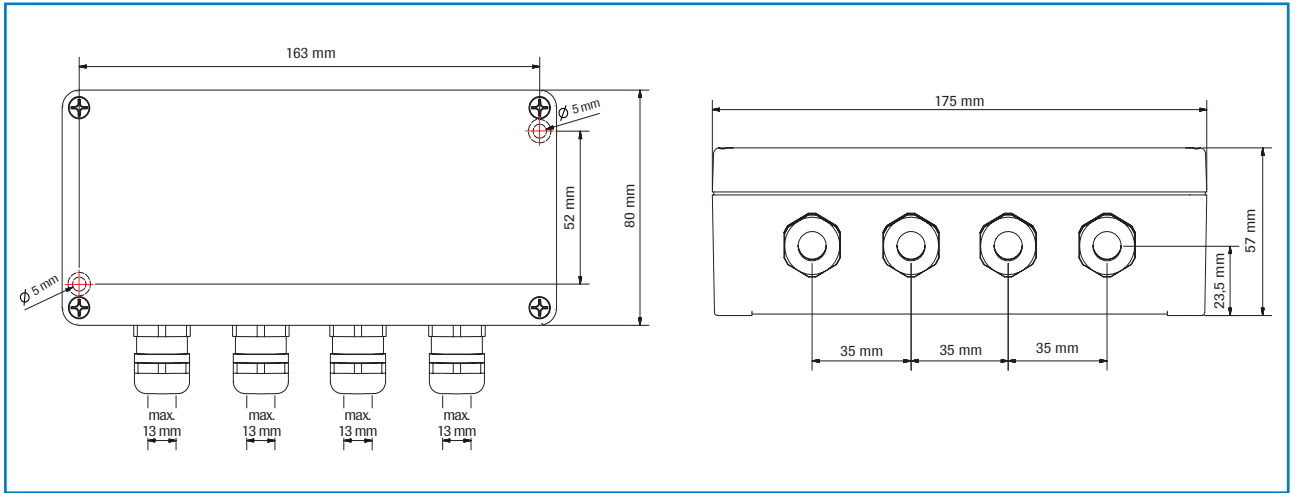
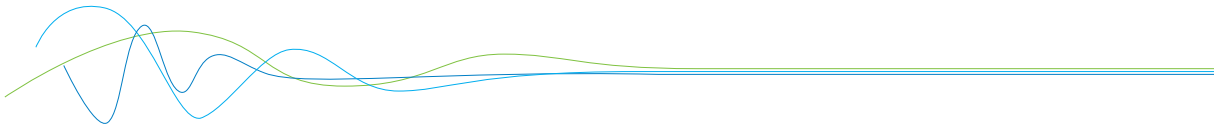


Fig. 16: Dimension of the C3-Box

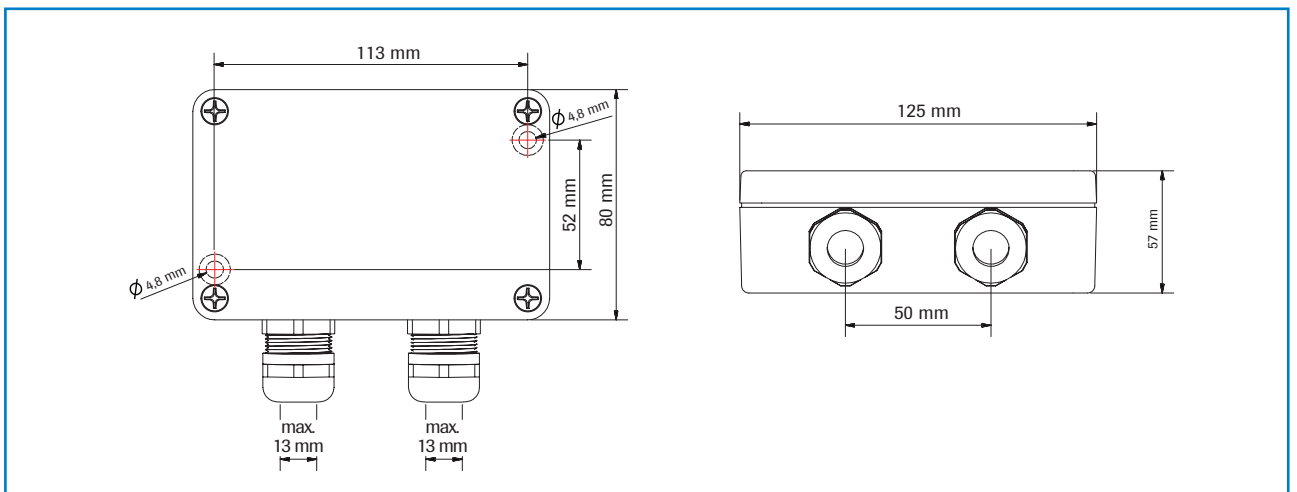


Fig. 17: Dimension of the C1-Box

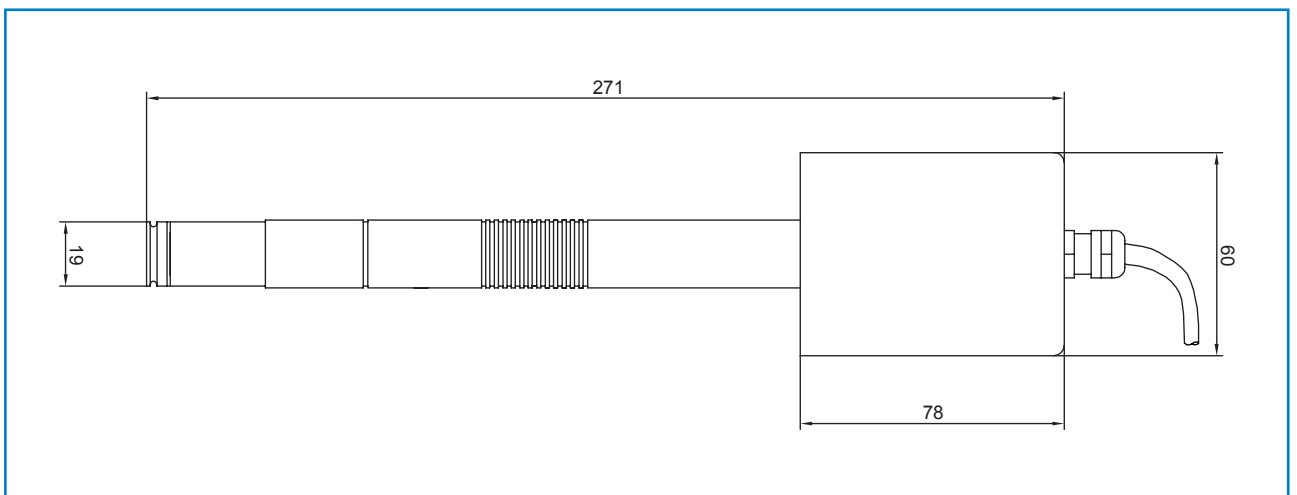


Fig. 18: Dimension SolidFlow 2.0

## 5. Use in hazardous areas

The sensor could be used in different hazardous areas.

### 5.1 DustEx-Area 22

Dust explosion zone identification:  $\text{Ex II 3D Ex tc IIIC T84 } ^\circ\text{C Dc}$

Zone 22:  $0\text{ } ^\circ\text{C} \leq T_{\text{prozess}} \leq 80\text{ } ^\circ\text{C}$

Zone 22:  $-10\text{ } ^\circ\text{C} \leq T_{\text{amb}} \leq 60\text{ } ^\circ\text{C}$

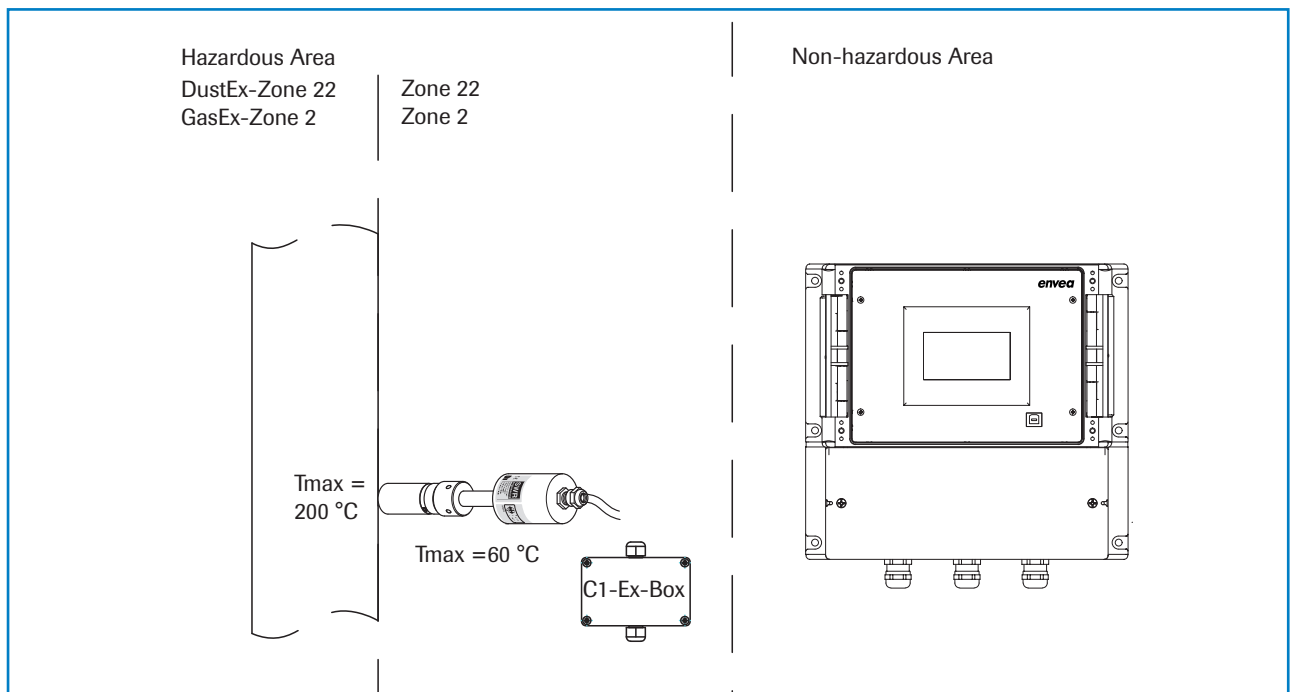
- Equipment group 2
- Equipment category: 3
- Waveguide window zone 22 / housing zone 22
- For explosive mixtures of air and combustible dust
- IP code 65
- Maximum surface temperature  $84\text{ } ^\circ\text{C}$  at  $T_a = 60\text{ } ^\circ\text{C}$

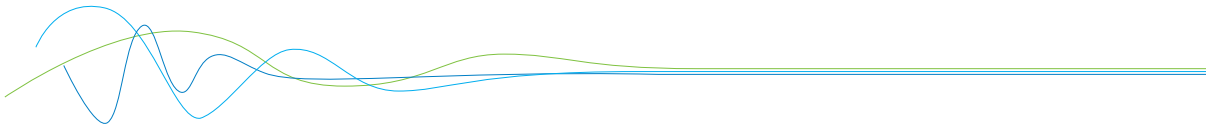
### 5.2 GasEx-Area 2

Gas explosion zone identification:  $T_p$  up to  $80\text{ } ^\circ\text{C}$ :  $\text{Ex II 3G Ex dc IIC T5 Gc}$

$T_p$  up to  $200\text{ } ^\circ\text{C}$ :  $\text{Ex II 3G Ex dc IIC T3 Gc}$

- Equipment group 2
- Equipment category: 3
- Zone 2
- For explosive mixtures of air and combustible gases
- IP code 65
- Temperature class T3
- Maximum surface temperature  $84\text{ } ^\circ\text{C}$  at  $T_a = 60\text{ } ^\circ\text{C}$





### 5.3 DustEx-Area 20/21

Dust explosion zone identification:  $\text{Ex II 1/2D Ex ta/tb III C T}_{200} 84^{\circ}\text{C Da/Db}$

Zone 20:  $0^{\circ}\text{C} \leq T_{\text{prozess}} \leq 80^{\circ}\text{C}$

Zone 21:  $-10^{\circ}\text{C} \leq T_{\text{amb}} \leq 60^{\circ}\text{C}$

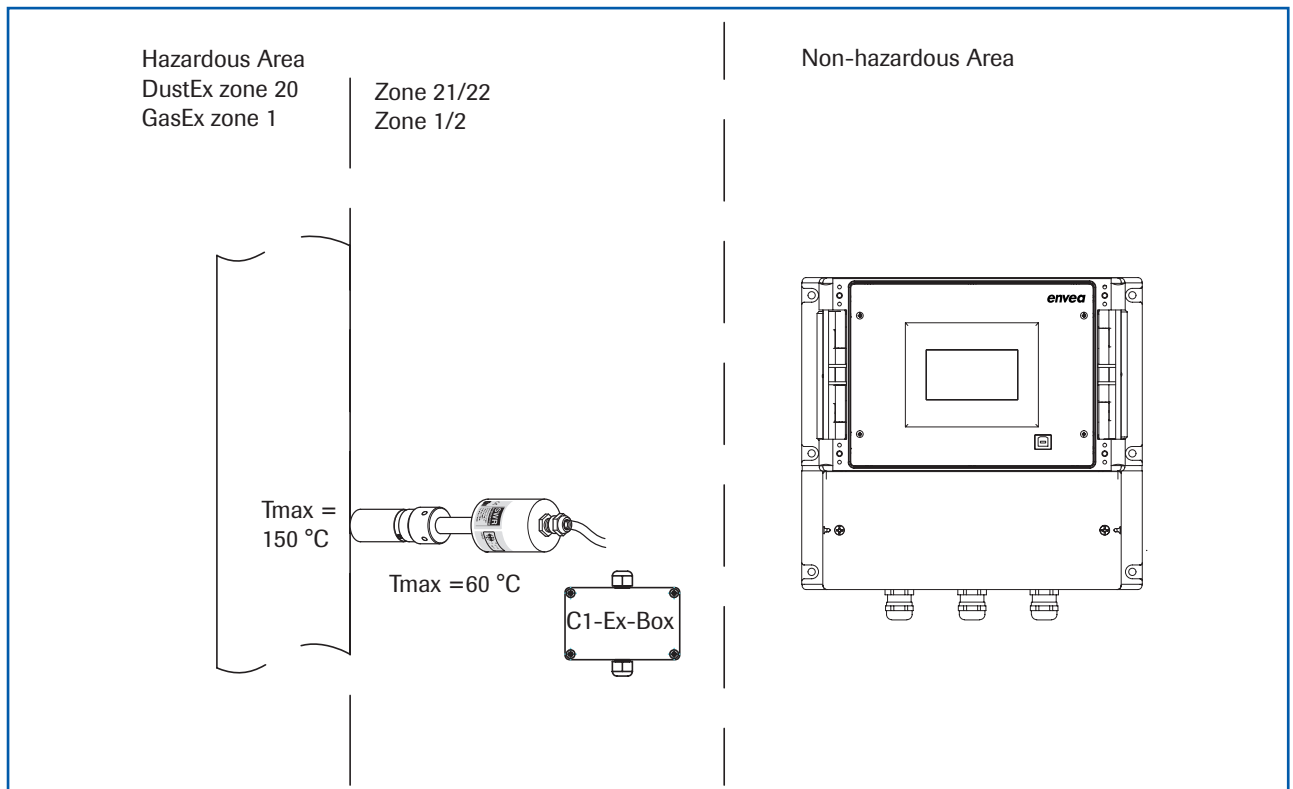
- Equipment group 2
- Equipment category: 1/2
- Waveguide window zone 20 / housing zone 21
- For explosive mixtures of air and combustible dust
- IP code 65
- Maximum surface temperature  $84^{\circ}\text{C}$  at  $T_a = 60^{\circ}\text{C}$

### 5.4 GasEx-Area 1/2

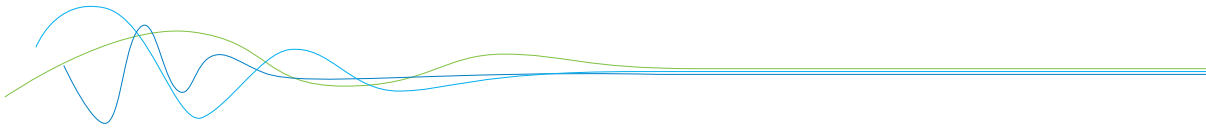
Gas explosion zone identification:  $T_p$  up to  $80^{\circ}\text{C}$ :  $\text{Ex II 2G Ex db IIC T5 Gb}$

$T_p$  up to  $150^{\circ}\text{C}$ :  $\text{Ex II 2G Ex db IIC T3 Gb}$

- Equipment group 2
- Equipment category: 2
- Zone 1
- For explosive mixtures of air and combustible gases
- IP code 65
- Allowable process temperature 0 to  $150^{\circ}\text{C}$
- Temperature class T3
- Maximum surface temperature  $84^{\circ}\text{C}$  at  $T_a = 60^{\circ}\text{C}$







## 6. Electrical connection

The Evaluation unit can be installed at a maximum distance of 300 m from the sensor. A cable of type “Ölflex Classic 110 CY” is recommended. The cable should be four wired, twisted and shielded. A minimum cable cross-section of 0.75 mm<sup>2</sup> should be observed. For distances more than 150 m the cable cross-section should be adjusted.

The housing is prepared for DIN Rail mounting according to DIN EN 60715 TH35.

### 6.1 Terminal layout MSE 300-DR

|  |  |  |   |
|--|--|--|---|
| <b>1</b> Current output<br>- 4 ... 20 mA | <b>2</b> Current output<br>+ 4 ... 20 mA   | <b>3</b> Input<br>Power supply<br>0 V DC | <b>4</b> Input<br>Power supply<br>+ 24 V DC |
| <b>5</b> Not used                        | <b>6</b> Alarm relay<br>NC (break contact) | <b>7</b> Alarm relay<br>C                | <b>8</b> Alarm relay<br>NO (make contact)   |

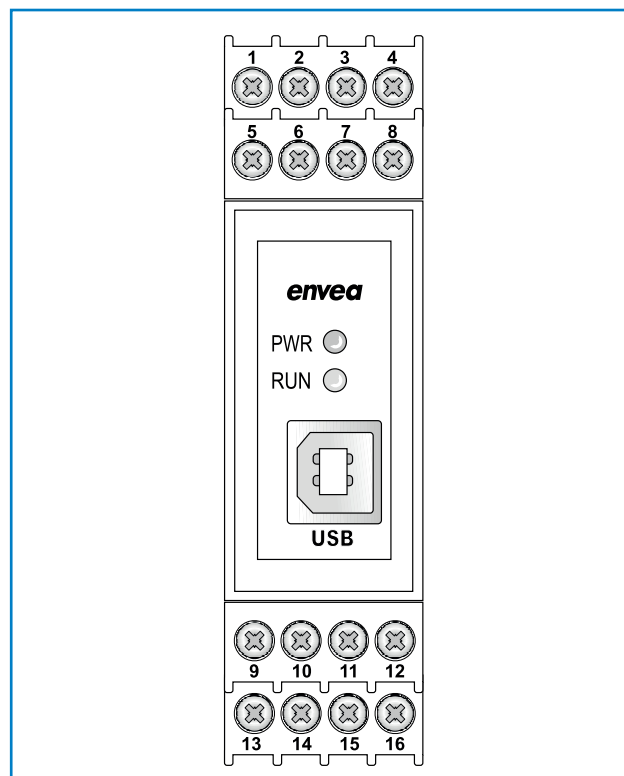
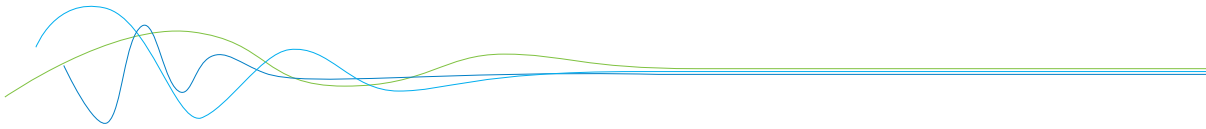


Fig. 19: Electrical connection of the MSE 300-DR

|  |  |   |  |
|--|--|---|--|
| <b>9</b> Digital pulse<br>output (-)                       | <b>10</b> Digital pulse<br>output (+)                      | <b>11</b> RS 485<br>Interface<br>Data B                       | <b>12</b> RS 485<br>Interface<br>Data A                          |
| <b>13</b> Sensor connection<br>Cable 4<br>RS 485<br>Data B | <b>14</b> Sensor connection<br>Cable 3<br>RS 485<br>Data A | <b>15</b> Sensor connection<br>Cable 2<br>Power<br>supply 0 V | <b>16</b> Sensor connection<br>Cable 1<br>Power<br>supply + 24 V |



## 6.2 Terminal layout MSE 300-FH

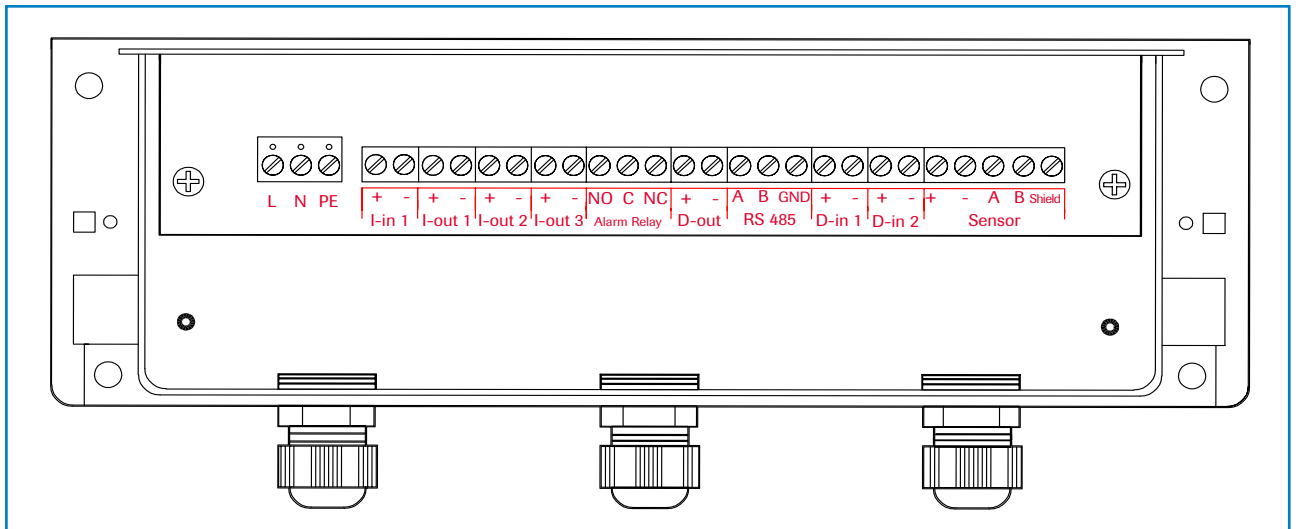
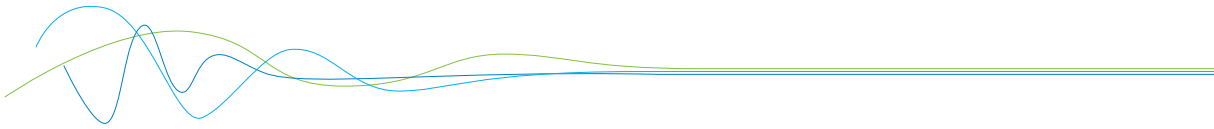


Fig. 20: Electrical connection of the MSE 300-FH

| Evaluation unit                |  |   |             |
|--------------------------------|--|---|-------------|
| Terminal no.                   | Connection   |   |             |
| <b>Power supply connection</b> |  |   |             |
| L / +24 V                      | Input power supply 230 V / 50 Hz, 110 V / 60 Hz (optional 24 V DC) |   |             |
| N / 0 V                        | Input power supply 230 V / 50 Hz, 110 V / 60 Hz (optional 24 V DC) |   |             |
| PE                             | Earth  |   |             |
| <b>Connections</b>             |  |   |             |
| I-in1                          | +  | Current input +                                   |             |
|                                | -  | Current input -                                   |             |
| I-out1                         | +  | Current output +                                  |             |
|                                | -  | Current output -                                  |             |
|                                | Na   | Not used  |             |
|                                | Na   | Not used  |             |
|                                | Na   | Not used  |             |
|                                | Na   | Not used  |             |
| Min. / Max.-Relay              | NO   | Floating change-over contact NO (make contact)    |             |
|                                | C  | Floating change-over contact C (common conductor) |             |
|                                | NC   | Floating change-over contact NC (break contact)   |             |
| D-out                          | +  | Digital pulse output +                            |             |
|                                | -  | Digital pulse output -                            |             |
| RS 485                         | A  | RS 485 interface data A                           |             |
|                                | B  | RS 485 interface data B                           |             |
|                                | GND  | RS 485 interface ground                           |             |
| D-in1                          | +  | Digital interface 1 (+)                           |             |
|                                | -  | Digital interface 1 (-)                           |             |
| D-in2                          | +  | Digital interface 2 (+)                           |             |
|                                | -  | Digital interface 2 (-)                           |             |
| Sensor                         | +  | Power supply + 24 V                               | Cable no. 1 |
|                                | GND  | Power supply 0 V                                  | Cable no. 2 |
|                                | A  | RS 485 data A                                     | Cable no. 3 |
|                                | B  | RS 485 data B                                     | Cable no. 4 |
|                                | Shield   | Shield  |             |



### 6.3 Terminal layout C-Boxes

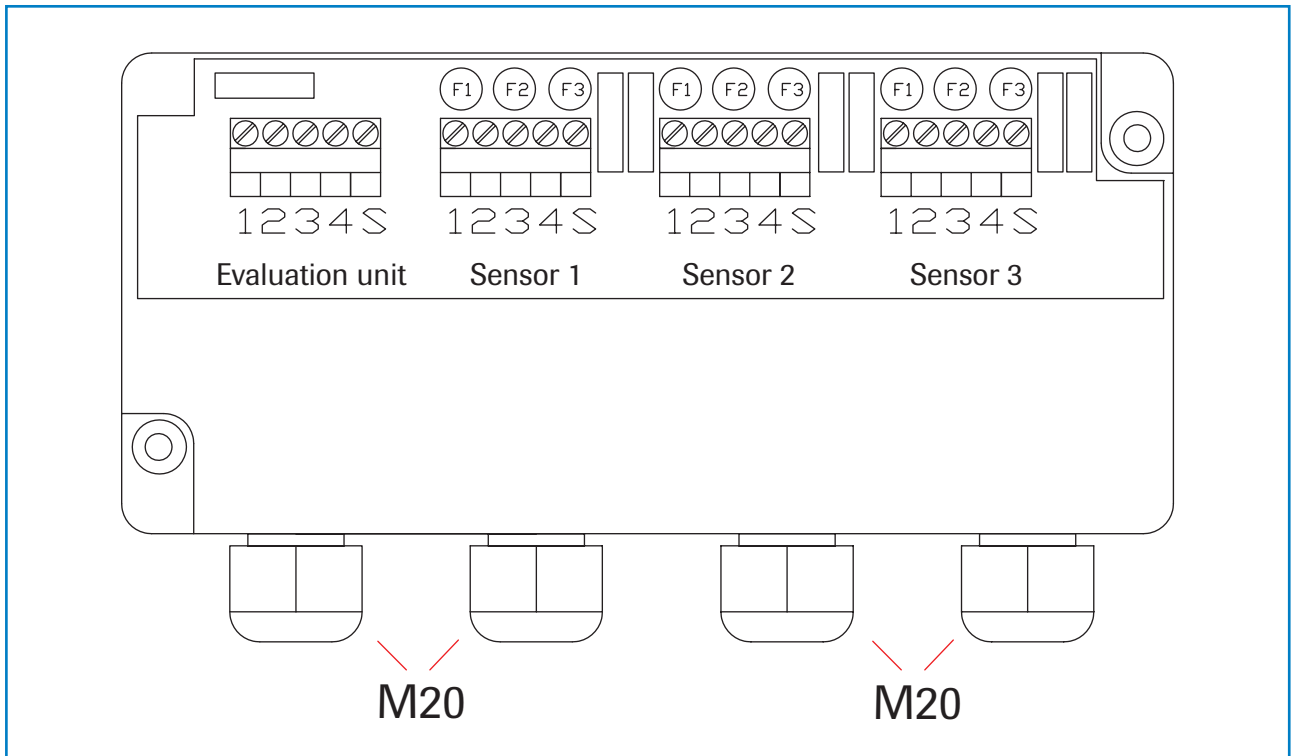


Abb. 21: Electrical connection C3-Box

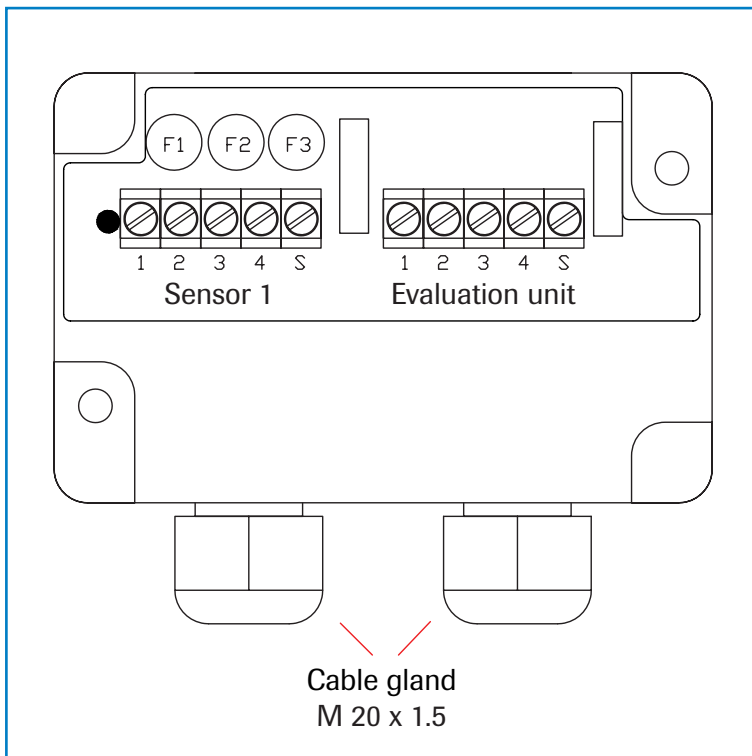


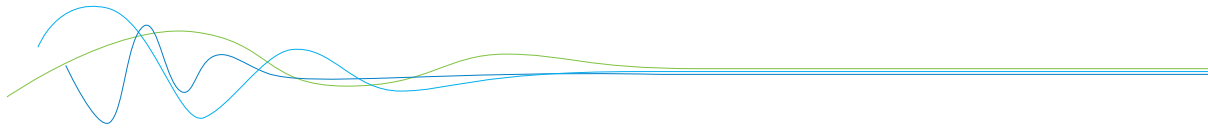
Abb. 22: Electrical connection C1-Box

#### Sensor 1 / 2 / 3

- 1 Power supply + 24 V
- 2 Power supply 0 V
- 3 RS 485, Data A
- 4 RS 485, Data B
- S Shield

#### Evaluation unit

- 1 Power supply + 24 V
- 2 Power supply 0 V
- 3 RS 485, Data A
- 4 RS 485, Data B
- S Shield



## 7. Operator interface

The MSE 300 is a multi-sensor Evaluation unit. It is therefore strongly recommended to check before commissioning whether the correct sensor is selected in menu **System**.

The operator interface differs depending on the system design:

- DIN Rail housing without touchscreen, operation via PC software
- Field housing with display, alternative operation via PC software
- One to three sensor system

First of all, the different system versions are described below. Following that, the basic operation of the SolidFlow 2.0 system as a one sensor system is then described without going back over the different versions.

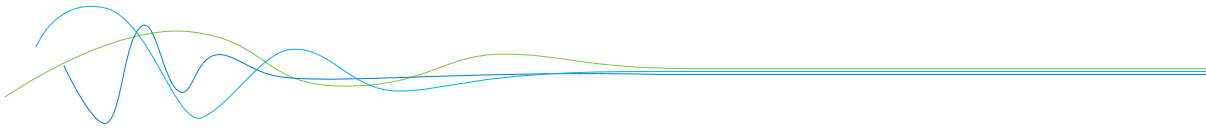
### 7.1 Differences between the DIN Rail and field housing Evaluation unit

The MSE 300 in the DIN Rail housing is only a part of the functions available in the field housing. The following overview clarifies the differences between the two versions.

| Function  | Field housing | DIN Rail |
|---|---------------|----------|
| Menu system   |               |          |
| • via PC software   | yes           | yes      |
| • via display   | yes           | no       |
| Measurement value display current output                                | yes           | yes      |
| Pulse output for the control of solenoid valves or for totaliser output | yes           | yes      |
| Alarm system relay output   | yes           | yes      |
| Remote control digital input  | yes           | no       |
| Autocorrect analogue input  | yes           | no       |
| Totaliser display   |               |          |
| • via PC software   | yes           | yes      |
| • via display   | yes           | no       |
| Error output  |               |          |
| • on current output   | yes           | yes      |
| • at relay  | yes           | yes      |
| • via PC software   | yes           | yes      |
| • via display   | yes           | no       |
| • on status LED   | no            | yes      |

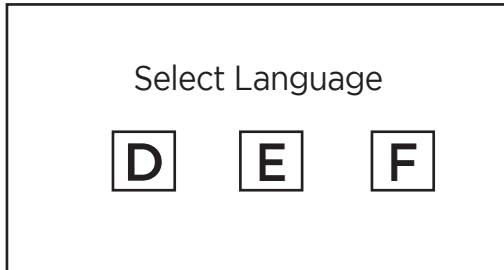
The MSE 300 in the DIN Rail is configured exclusively via a USB connection and a PC program. For the Evaluation unit in the field housing, all functions can be configured via the touch-sensitive display. The PC configuration is also possible with the Evaluation unit in the field housing.

**The menu items on the display and in the PC software are numbered in a uniform manner so that they can be referred to later on.**



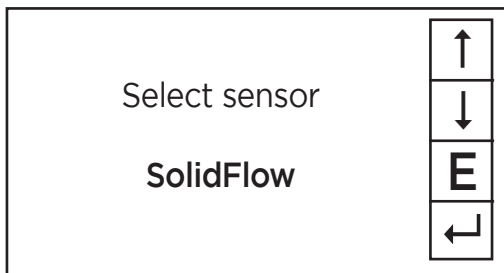
## 7.2 Display

The display is touch-sensitive. Available keys are displayed directly in context. When the measuring system is first started, a query is initiated to select the language and sensor. If no selection is made, the initialization disappears and the German language with a SolidFlow 2.0 sensor is selected.



Initialization screen when the Evaluation unit in the field housing started first time.  
Selection of the menu language:

Deutsch, English, Français

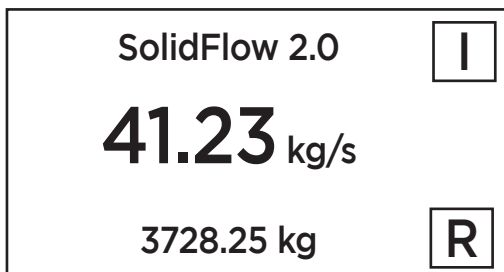


If a language has been selected, the sensor to be used must be selected.

To be available:

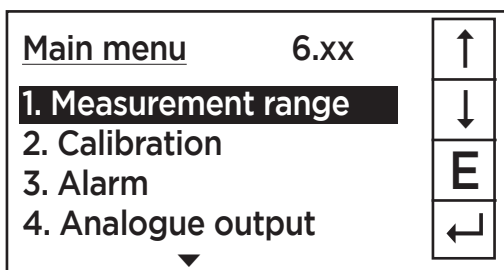
SolidFlow 2.0, PADDY, PicoFlow, MaxxFlow HTC, DensFlow, SpeedFlow 2.0, SlideControl 2.0, ProSens, M-Sens 2, M-Sens 3, M-Sens WR, M-Sens WR2.

Afterwards the start page appears.



The start page display the following values:

- Tag No "SolidFlow 2.0", freely selectable text which describes the material or the measuring point
- Measurement, here in [kg/s]
- Totaliser value since the last totaliser reset, here in [kg]
- [ I ] key for info
- [ R ] key for totaliser reset

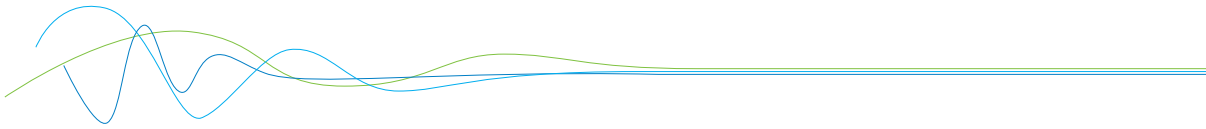


To access the menus, press and hold any area of the display for several seconds.

The sub-menu selection will be displayed:

In the menus and input fields, the displayed keys can be used to browse, select, edit or reject:

- Arrow: Scroll down the page, Select an option, Select a position in the input text
- [ E ] for ESC: Interrupt the function without making any changes
- [←]: Select the function or confirm the input
- [ C ] for Clear: Delete a symbol or number.



| Sensor status |      |            |      |
|---------------|------|------------|------|
|               | Temp | Raw value  | Stat |
| S1            | 63.0 | 0.000123   | OK   |
| S2            | 63.0 | 0.000213   | OK   |
| S3            | 63.0 | 0.000321   | OK   |
| Average value |      | 0.000219   |      |
|               |      | 3728.25 kg |      |

With the key [ I ] you can choose between different information windows. The first window shows the raw values, temperature and the status of the sensor. The second window displays the error memory. Recent error codes always come first. If an error code is repeated, it will appear first, but will not be listed multiple times.

|                            |                            |
|----------------------------|----------------------------|
| Save changes?              |                            |
| <input type="checkbox"/> Y | <input type="checkbox"/> N |

If any data has been changed, the change will only be taken into account when you exit the complete menu structure and answer [ Yes ] when asked if you wish to save the changes.

For reasons of simplicity, a further display menu screen has been dispensed with. The display screens are directly derived from the menu structure in section 6.5.

**Protection against unauthorised use:**

If a password has been entered in menu **8. System** in **8.6 Password**, which is different to the “0000” default setting, you will be asked to enter a password when attempting to access the menus. After the password has been successfully entered, the menus will be unlocked for approx. 5 minutes (from the last menu entry).

### 7.3 PC interface

Communication with a laptop or PC is carried out on the DIN Rail as in the field housing version optionally on the terminals via an RS 485 or on the front side via a USB interface.

- ✓ The **RS 485 connection** is attached to the Evaluation unit in the field housing at the ModBus A (+) and ModBus B (-) terminals On the DIN Rail version, these connections are nos. 12 and 11, accordingly.

RS 485 is a bus connection; the ModBus address and the baud rate can be set on the device. Upon delivery, the communication parameters are set to:

- ModBus address 1
- Baud rate 9600, 8, E,1
- Parity: even

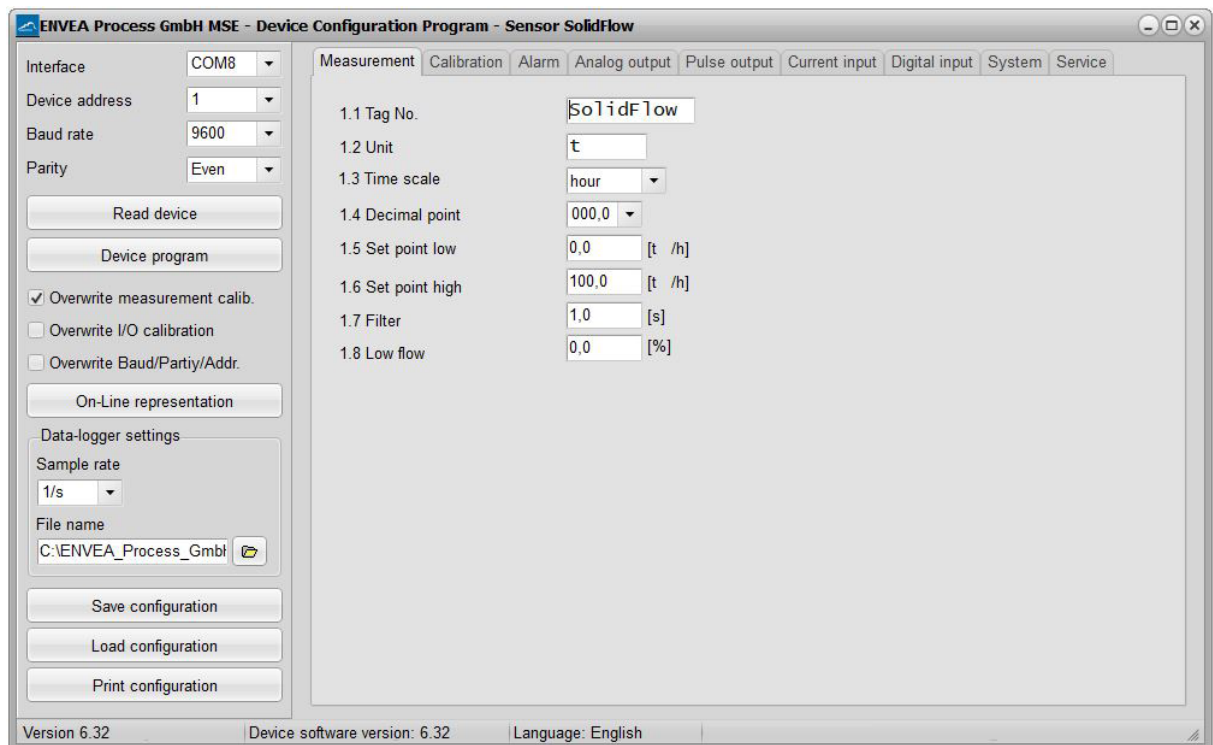
An RS 485 to USB adapter can be purchased from envea™ - SWR engineering.

- ✓ For the USB connection to the DIN Rail version is a standard USB-A-B cable included. The USB connection is a point-to-point connection that is not BUS-capable. The ModBus address and the baud rate for the front-side connections cannot be changed and are always:

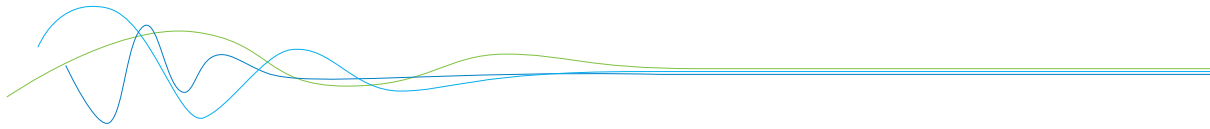
- ModBus address 1 (or the device answers to all addresses)
- Baud rate 9600, 8, E,1
- Parity: even (parity can not be changed on the USB connection)

When connected to the PC for the first time, any interface drivers enclosed with the Evaluation unit must be installed.

After starting the software, the communication parameters must first be entered accordingly. These can be found in the top left of the program window. The COM port to be set is displayed in the device manager.



Communication is established by clicking on “Read device”. The acknowledgement message “Parameter read in” is displayed. If an error message is displayed instead, check the communication parameters and cable connections between the PC and the Evaluation unit.



The edited data is transmitted to the Evaluation unit via “Device program”.

Critical data concerning the ModBus communication and the calibration must be confirmed before the parameters are transmitted to the Evaluation unit:

- ✓ If, when saving the the parameters in the Evaluation unit, the system calibration data is changed, this action must be confirmed by checking “Overwrite calibration”.
- ✓ If, when saving the the parameters in the Evaluation unit, the system interface parameters are changed, this must be confirmed by checking the selection “Overwrite baud/addr.”.

In addition, with the PC software,

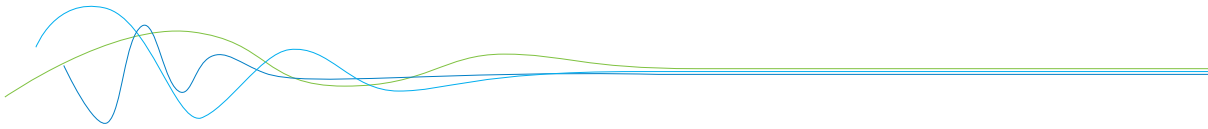
- the Evaluation unit parameters can be saved in a file (save configuration)
- the Evaluation unit parameters can be loaded from a file (load configuration)
- the Evaluation unit parameter can be printed via the windows standard printer (print configuration)
- the measured values can be logged in a data logger file (enter the file name and storage rate, and activate the data logger on the online display)

The software language can be set by right-clicking the “Sprache/Language/Langue” field in the bottom program line on “German/English/French”.

#### **Protection against unauthorised use:**

The PC interface does not have a password prompt as it is assumed that only authorised personnel will have access to the PC and the software. However, the password to operate the display can be read and changed in menu **8. System** in **8.6 Password**.

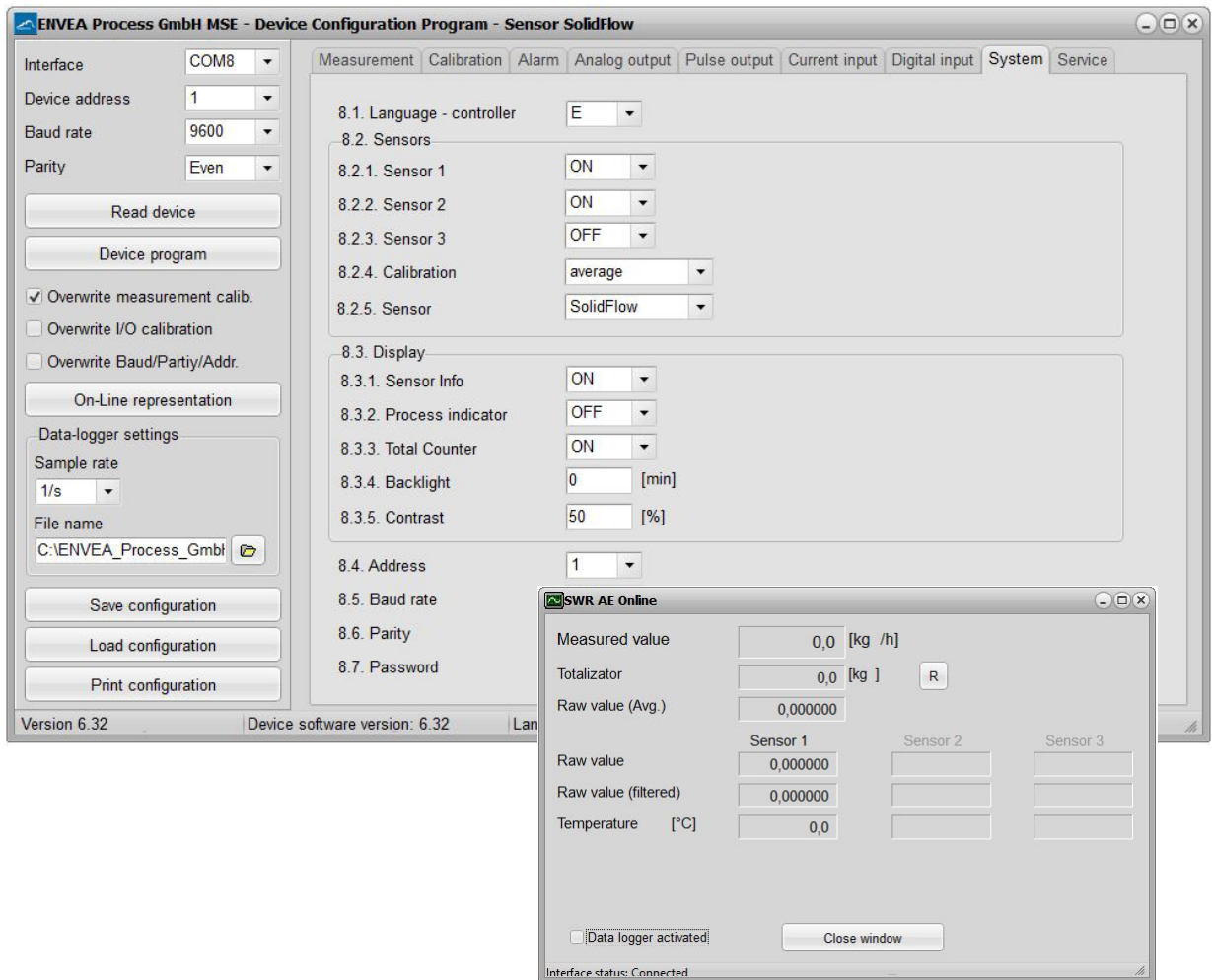




## 7.4 One or more sensor system

Up to three sensors can be connected to a Evaluation unit if, for example, a larger flow section needs to be illuminated. In the Evaluation unit, the corresponding number of sensors will then be registered and a joint average value will be calculated from their measurements.

The sensors are registered in menu **8. System**:



The multi-sensor function has no effect on the service and will not be explained in the following document.

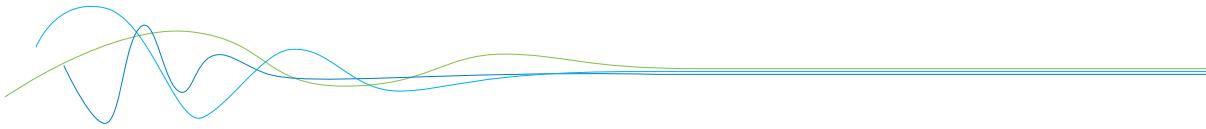
If multiple sensors are used, this will only affect the application of sensors and the monitoring of sensors by the Evaluation unit.

The presence of multiple sensors makes itself felt on the online-display and on the info area of the display.

For the construction of a multi-sensor system note the following:

- The sensors have to be activated in the Evaluation unit (Menu **8. System, 8.2 Sensors**).
- Activated sensors are addressed by the Evaluation unit on the sensor side, digital bus at the following addresses:
  - Address 1 – sensor 1
  - Address 2 – sensor 2
  - Address 3 – sensor 3

- With delivery of a multi-sensor system the sensors will be preconfigured on the addresses 1 - 2 - 3 and noted in the Evaluation unit as active.
- Sensors and Evaluation unit, which are not preconfigured for a multi-sensor system always have address 1, only sensor 1 will be activated.
- Sensors which are inserted afterwards in a system must be adjusted by means of an separate service software to the required address.
- The correct address will be factory-preset when ordering spare parts with specified sensor number.

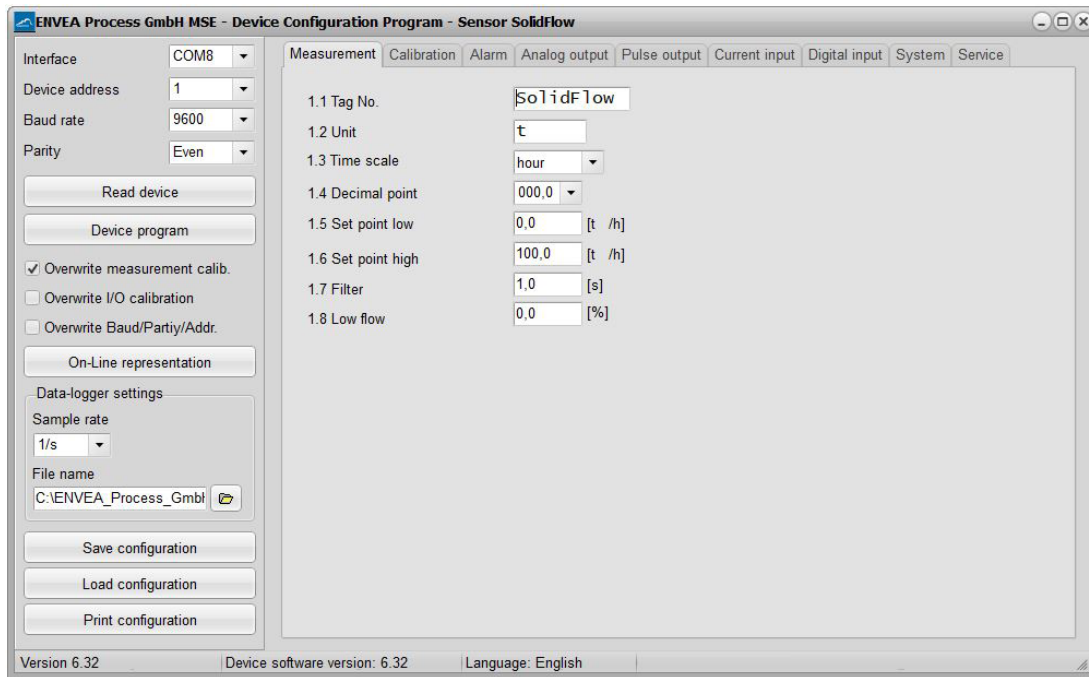


## 7.5 Menu structure

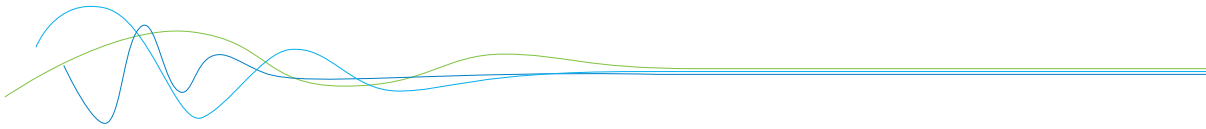
The menu structure supports the user when adjusting the measuring range, the calibration, the measurement values and the choice of additional functions. In this connection, the numbering both on the display and in the PC interface is identical:

### 1. Measurement

Set all relevant measuring range settings



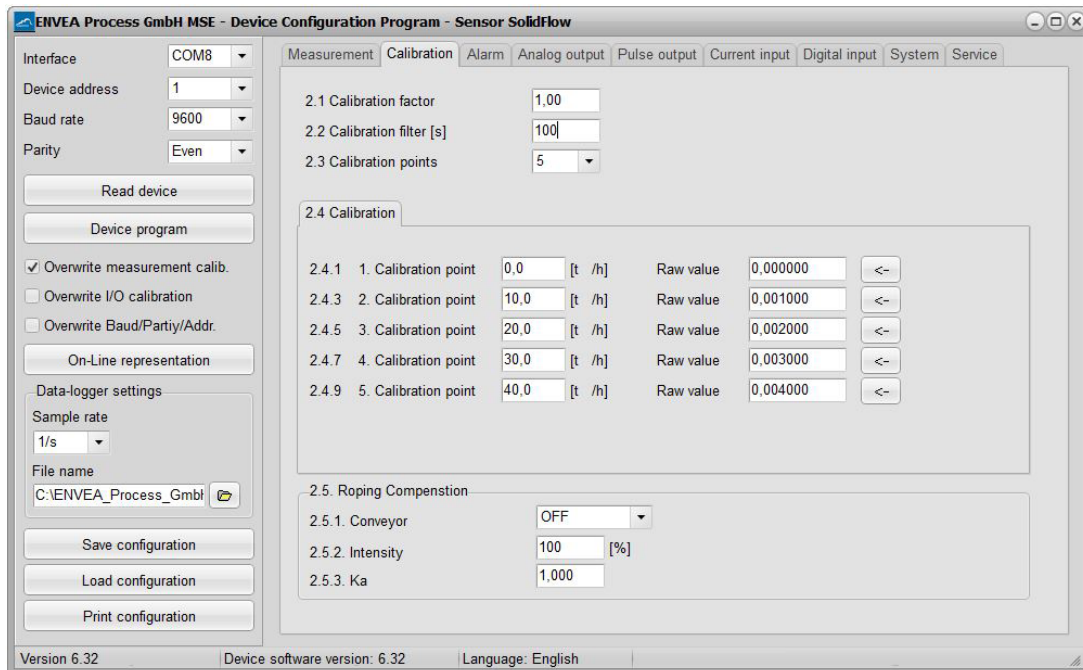
|                    |  |  |
|--------------------|--|--|
| 1.1 Tag No.        | <b>Input:</b> Free text (10 characters)        | Name of the measurement point or product.  |
| 1.2 Unit           | <b>Input:</b> Unit text, e. g. kg              | Required mass flow unit.   |
| 1.3 Time scale     | <b>Selection:</b> hour / minute / second       | time base for the integration by the totaliser and the pulse output.   |
| 1.4 Decimal point  | <b>Selection:</b><br>0000, 0.000, 00.00, 000.0 | Number representation and decimal point-accuracy in the measurement menu.  |
| 1.5 Set point low  | <b>Input:</b> 0 ... 9999                       | Throughput rates under this value will not be displayed at the current output. This does not concern the display indicator, totaliser or pulse output. |
| 1.6 Set point high | <b>Input:</b> 0 ... 9999                       | Throughput rates above this value will not be displayed at the current output. This does not concern the display indicator, totaliser or pulse output. |
| 1.7 Filter         | <b>Input:</b> 0.0 s ... 999.9 s                | Filtering of measurement for the indicator and the output values.  |
| 1.8 Low flow       | <b>Input:</b> 0.0 % ... 99.9 %                 | Throughput below this threshold are displayed as zero and are NOT totalised. Indication as % to measuring range end.                                   |



## 2. Calibration

Deposit a calibration curve

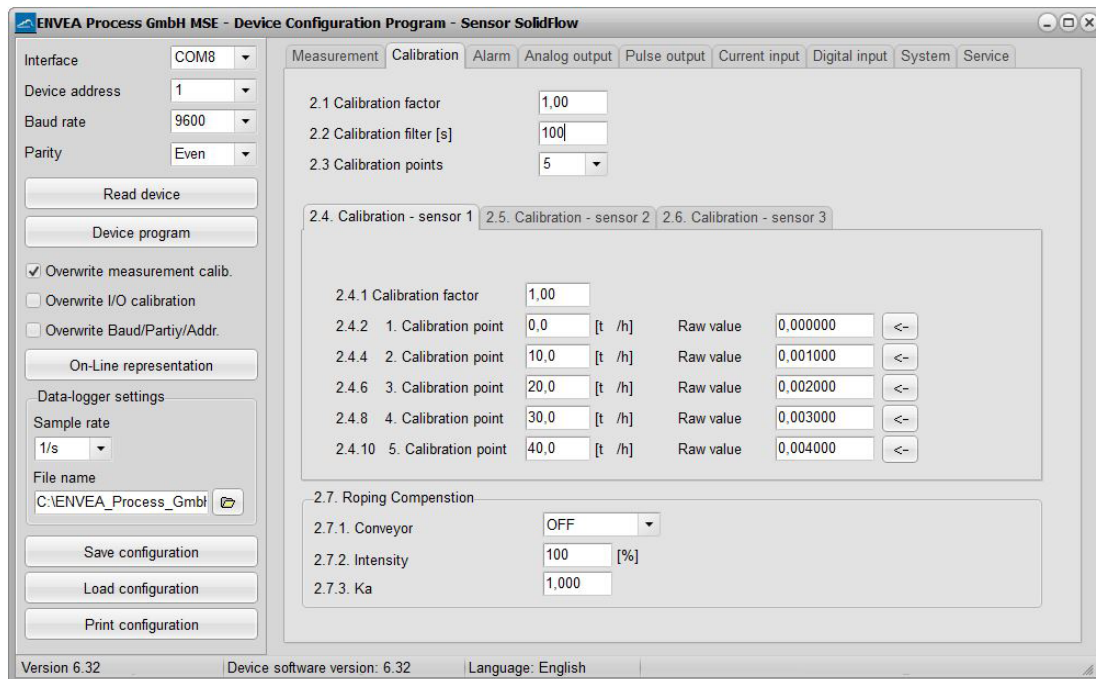
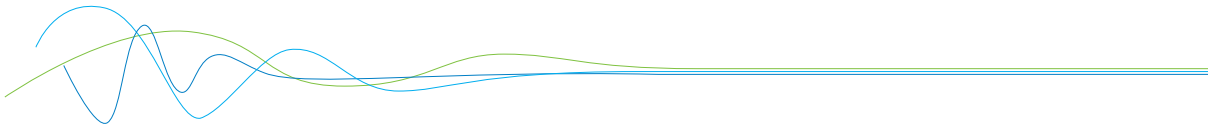
Depending on the selection under **8.2.4 Calibration**, the parameters to be entered are changing.



### Average-Calibration

From the average value of all sensors, a common calibration table is created for throughput calculation.

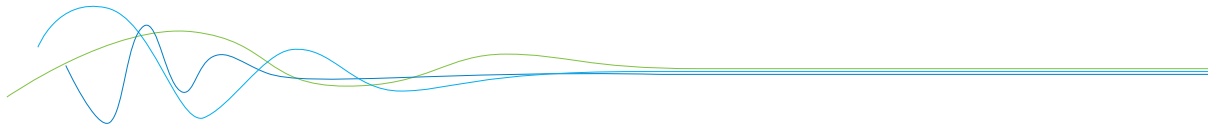
|       |   |                             |   |
|-------|---|-----------------------------|---|
| 2.1   | Calibration factor                              | <b>Input:</b> 0.01 ... 9.99 | Factor for the subsequent adjustment of the actual measurement. All measurements are scaled by this factor.                 |
| 2.2   | Calibration filter [s]                          | <b>Input:</b> 1 ... 9999    | Filter time for recording the raw value during calibration. It would be made an average out of the measured RAW-values.     |
| 2.3   | Calibration points                              | <b>Input:</b> 2 ... 5       | Number of support points for a linearisation above the operating range.   |
| 2.4   | Calibration                                     | <b>Calibration sub-menu</b> |   |
| 2.4.1 | P1 value  | <b>Input:</b> measurement   | Output measurement in the selected mass/time unit.  |
| 2.4.2 | P1 calibration                                  | <b>Transfer:</b> raw value  | Transfer of the current raw value (filtered) from the mass flow with the key [ ← ]. The value can also be entered directly. |
|       | ... (depending on the number of support points) |                             | For additional support points (depending on [ 2.3 ]), additional value pairs can be set.                                    |
| 2.4.n | Pn value  | <b>Input:</b> measurement   |   |
| 2.4.n | Pn calibration                                  | <b>Transfer:</b> raw value  |   |



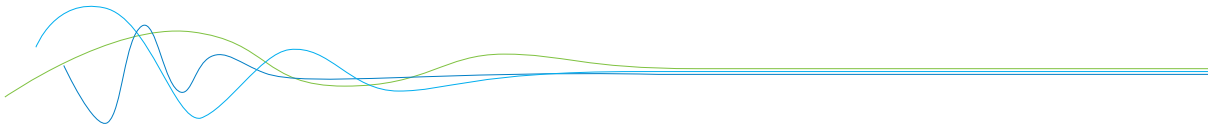
### Single calibration

Each sensor is assigned an individual calibration table. Afterwards, a throughput calculation takes place on the basis of the individual throughput values.

|       |   |  |   |
|-------|---|--|---|
| 2.1   | Calibration factor                              | <b>Input:</b> 0.01 ... 9.99              | Factor for the subsequent adjustment of the actual measurement. All measurements are scaled by this factor.                 |
| 2.2   | Calibration filter [s]                          | <b>Input:</b> 1 ... 9999                 | Filter time for recording the raw value during calibration. It would be made an average out of the measured RAW-values.     |
| 2.3   | Calibration points                              | <b>Input:</b> 2 ... 5                    | Number of support points for a linearisation above the operating range.   |
| 2.4   | Calibration                                     | <b>Calibration sub-menu for sensor 1</b> |   |
| 2.4.1 | Calibration factor                              | <b>Input:</b> 0.01 ... 9.99              | Factor for the subsequent adjustment of the actual measurement of sensor 1.   |
| 2.4.2 | P1 value  | <b>Input:</b> measurement                | Output measurement in the selected mass/time unit.  |
| 2.4.3 | P1 calibration                                  | <b>Transfer:</b> raw value               | Transfer of the current raw value (filtered) from the mass flow with the key [ ← ]. The value can also be entered directly. |
|       | ... (depending on the number of support points) |  | For additional support points (depending on [ 2.3 ]), additional value pairs can be set.                                    |



|       |   |  |   |
|-------|---|--|---|
| 2.5   | Calibration                                     | <b>Calibration sub-menu for sensor 2</b> |   |
| 2.5.1 | Calibration factor                              | <b>Input:</b> 0.01 ... 9.99              | Factor for the subsequent adjustment of the actual measurement of sensor 2.   |
| 2.5.2 | P1 value  | <b>Input:</b> measurement                | Output measurement in the selected mass/time unit.  |
| 2.5.3 | P1 calibration                                  | <b>Transfer:</b> raw value               | Transfer of the current raw value (filtered) from the mass flow with the key [ ← ]. The value can also be entered directly. |
|       | ... (depending on the number of support points) |  | For additional support points (depending on [ 2.3 ]), additional value pairs can be set.                                    |
| 2.6   | Calibration                                     | <b>Calibration sub-menu for sensor 3</b> |   |
| 2.6.1 | Calibration factor                              | <b>Input:</b> 0.01 ... 9.99              | Factor for the subsequent adjustment of the actual measurement of sensor 3.   |
| 2.6.2 | P1 value  | <b>Input:</b> measurement                | Output measurement in the selected mass/time unit.  |
| 2.6.3 | P1 calibration                                  | <b>Transfer:</b> raw value               | Transfer of the current raw value (filtered) from the mass flow with the key [ ← ]. The value can also be entered directly. |
|       | ... (depending on the number of support points) |  | For additional support points (depending on [ 2.3 ]), additional value pairs can be set.                                    |



### Roping compensation

Depending on the calibration method selected, the numbering varies between 2.5.n and 2.7.n. The following numbering is based on an average calibration. The different calibration methods have no effect on the roping compensation

#### 2.5 Roping compensation **Roping compensation sub-menu**

The stratification compensation is used to compensate for measurement uncertainties which can arise due to stratification. The sensors are supplied with an optimum default setting for normal conveying conditions. If the measurement is influenced by unusual flow stratifications or stratification shifts, the intensity of the compensation can be increased from 0 % to up to 100 %.

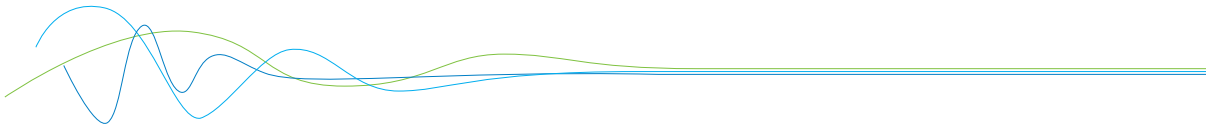
The sensor has two parameter sets for gravimetric and pneumatic conveying conditions. They should be selected depending on the type of conveyance. The intensity adds part of the compensated measurement to the uncompensated measurement: Both parts are weighted and calculated according to the selected intensity.

When using this function, it is recommended to set first the intensity to 100 % and activate the compensation. Subsequently, the Ka has to be adapted such that the raw value with 100 % compensation is on the same range as the raw value without compensation.

If the Ka is adjusted correctly, the intensity should be reset and increased in steps of 10 % to assess the quality of the measurement results.

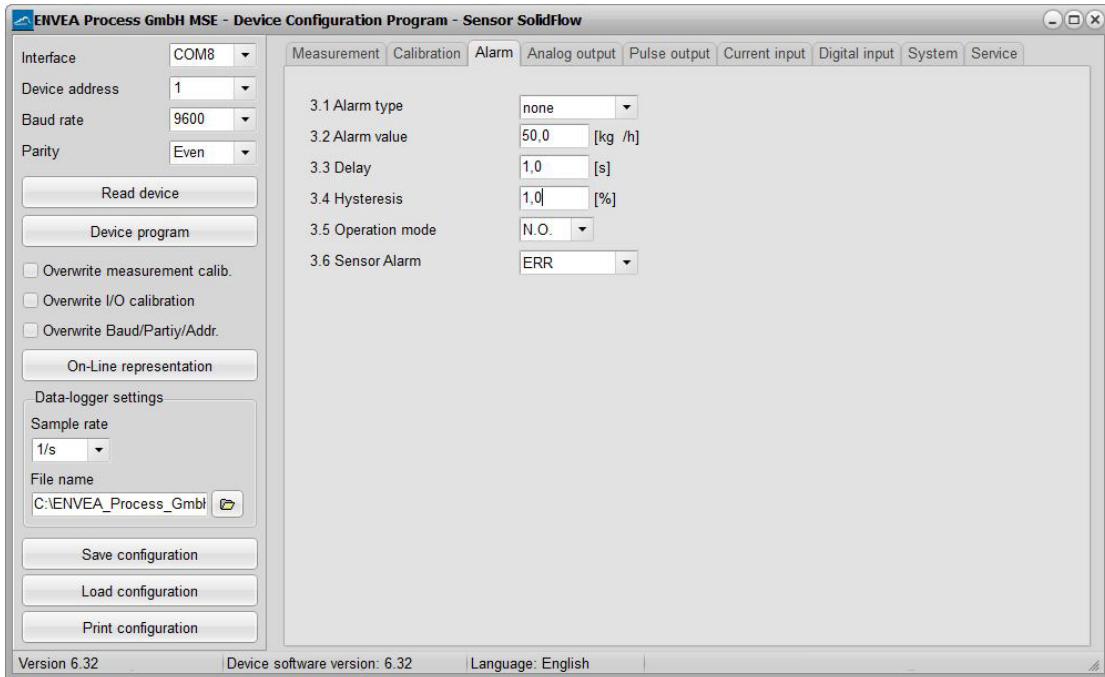
A manual parameter set can be set and permanently stored by trained ENVEA Process personnel.

|       |           |  |  |
|-------|-----------|--|--|
| 2.5.1 | Conveyor  | <b>Selection:</b><br>OFF / GRV / PNE / MAN | <b>OFF:</b> no compensation<br><b>GRV:</b> gravimetric conveyance = free fall<br><b>PNE:</b> Pneumatic conveyance<br><b>MAN:</b> Manual parametrisation<br>(only for trained ENVEA Process personnel)  |
| 2.5.2 | Intensity | <b>Input:</b> 1 ... 100 %                  | Strength of calculation of compensated signal with the uncompensated signal, e. g.:<br>0 %: 0 % compensated signal element, 100 % uncompensated signal component<br>10 %: 10 % of the compensated and 90 % of the uncompensated signals are calculated<br>100 %: the output signal contains 100 % of the compensated component                                   |
| 2.5.3 | Ka        | <b>Input:</b> 0.001 ... 65.535             | Correction factor on the compensated signal!<br><br>By the compensation the compensated signal can be at a significantly higher value level.<br><br>To achieve a linear settlement of the two values (compensated and uncompensated) via the parameter intensity, the compensated value can be brought in the same order as the uncompensated value by using Ka. |



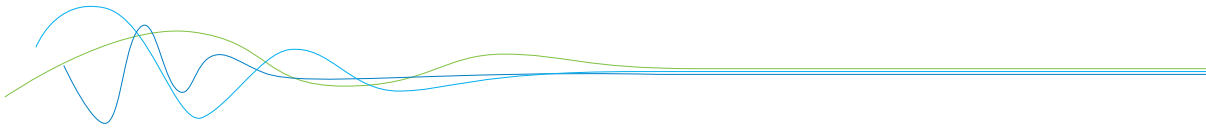
### 3. Alarm

Settings for relay contacts



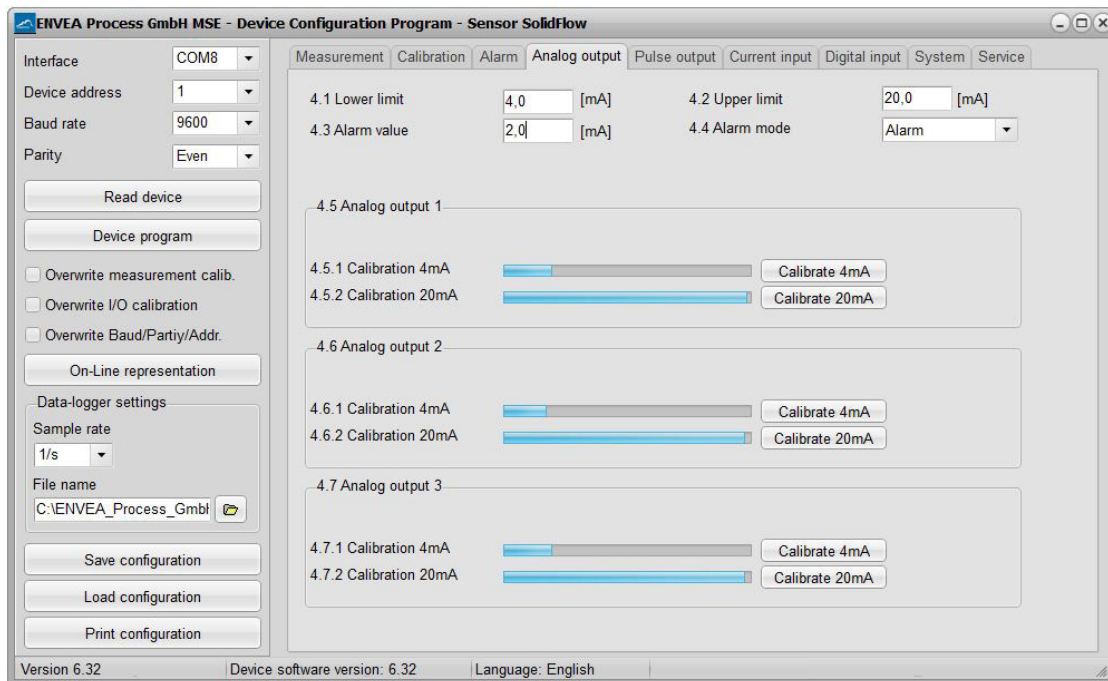
|     |                |                                       |   |
|-----|----------------|---------------------------------------|---|
| 3.1 | Alarm type     | <b>Selection:</b> Min/Max/none        | The relay is operated if the measurement exceeds or falls below the max. limit or min. limit.   |
| 3.2 | Alarm value    | <b>Input:</b> 0 ... 999.9             | limit value for monitoring Min. or Max.   |
| 3.3 | Delay          | <b>Input:</b> 0.1 ... 99.9 s          | The value must permanently exceed or fall below the set limit during this time.   |
| 3.4 | Hysteresis     | <b>Input:</b> 0.1 ... 99.9 %          | The alarm continues for as long as the measurement is not smaller or larger than the limit value plus or minus hysteresis.  |
| 3.5 | Operation mode | <b>Selection:</b><br>NC / NO          | <b>NC:</b> the relay is closed while there is no alarm.<br><b>NO:</b> the relay is closed, if there is an alarm.  |
| 3.6 | Sensor alarm   | <b>Selection:</b><br>OFF / ERR / PROC | <b>OFF:</b> sensor or process errors will not activate the relay.<br><b>ERR:</b> serious sensor errors lead to an alarm on the relay.<br><b>PROC:</b> fatal sensor errors and process indicators lead to an alarm on the relay.<br>More information about the ERR and PROC signals, will be found in section error flags. |





## 4. Analog output

### Settings and calibration of analog output



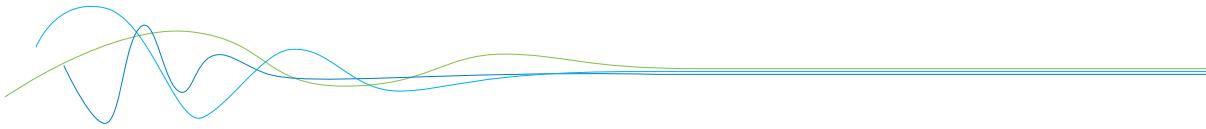
|       |                   |   |   |
|-------|-------------------|---|---|
| 4.1   | Lower limit       | <b>Input:</b> 0 ... 22 mA               | Default settings: 4 mA  |
| 4.2   | Upper limit       | <b>Input:</b> 0 ... 22 mA               | Default settings: 20 mA   |
| 4.3   | Alarm value       | <b>Input:</b> 0 ... 22 mA               | Output value if a sensor alarm is given.<br>Default settings: 2 mA  |
| 4.4   | Alarm mode        | <b>Selection:</b><br>alarm / freeze     | <b>Alarm:</b> Alarm value at output, during alarm measuring value is 0.<br><b>Freeze:</b> Last measurement value would be freeze on Analogue output, till the error is fixed. |
| 4.5   | Analog output 1   | <b>Submenu</b>                          |   |
| 4.5.1 | Calibration 4 mA  | <b>Selection:</b><br>set output current | The current output can be set via key functions and adjusted at the receiving end.  |
| 4.5.2 | Calibration 20 mA | <b>Selection:</b><br>Set output current | The current output can be set via key functions and adjusted at the receiving end.  |
| 4.6   | Analog output 2   | <b>Submenu</b>                          |   |
| 4.6.1 | Calibration 4 mA  | <b>Selection:</b><br>set output current | The current output can be set via key functions and adjusted at the receiving end.  |
| 4.6.2 | Calibration 20 mA | <b>Selection:</b><br>set output current | The current output can be set via key functions and adjusted at the receiving end.  |

|       |                   |   |  |
|-------|-------------------|---|--|
| 4.7   | Analog output 3   | <b>Submenu</b>                          |  |
| 4.7.1 | Calibration 4 mA  | <b>Selection:</b><br>set output current | The current output can be set via key functions and adjusted at the receiving end. |
| 4.7.2 | Calibration 20 mA | <b>Selection:</b><br>set output current | The current output can be set via key functions and adjusted at the receiving end. |

The current output can be calibrated that the zero point (output of 4 mA) is applied to the background noise of the measuring point. If the noise level decreases due to process changes, material caking or other aging effects, less than 4 mA can be output at the analog output. In this way, a zero offset can be detected (zero point drift).

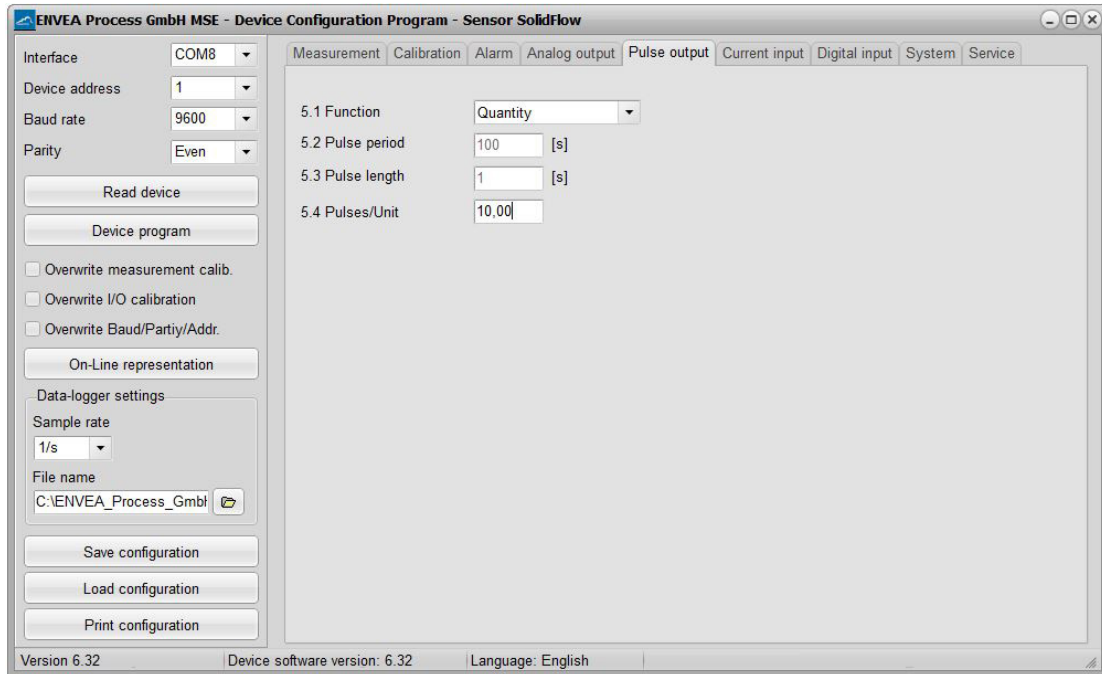
If this function is not required for process-technical reasons, the zero point must be set during calibration on a raw value of zero and / or the **4.1 Lower Limit** must be set to 4 mA.

If the settings of the 4 mA or 20 mA signal are changed, the checkbox **Overwrite I/O calibration** must be set.



## 5. Pulse output

Passive signal for pulse cleaning or output of a totaliser.



5.1 Function:

**Selection:** none /  
cleaning / quantity

**None:** No pulse output

**Cleaning:** Possibility to control a solenoid valve for compressed air-fluid.

**5.4 Pulses/Unit** without function.

**Quantity:** The quantity is send as an impulse sequence to the output; Unit is like **1.2 Unit**.

**5.2 and 5.3 Pulse length** without function.

5.2 Pulse period:

**Input:** 1 s ... 600 s

Time between two impulses

5.3 Pulse length:

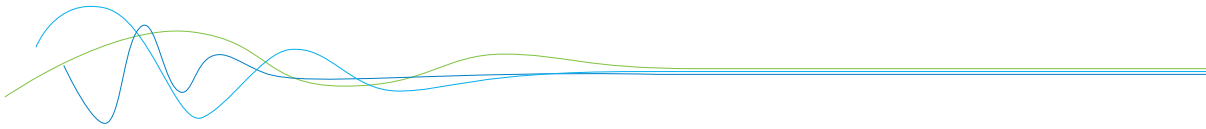
**Input:** 1 s ... 60 s

Length of impulse

5.4 Pulses/unit

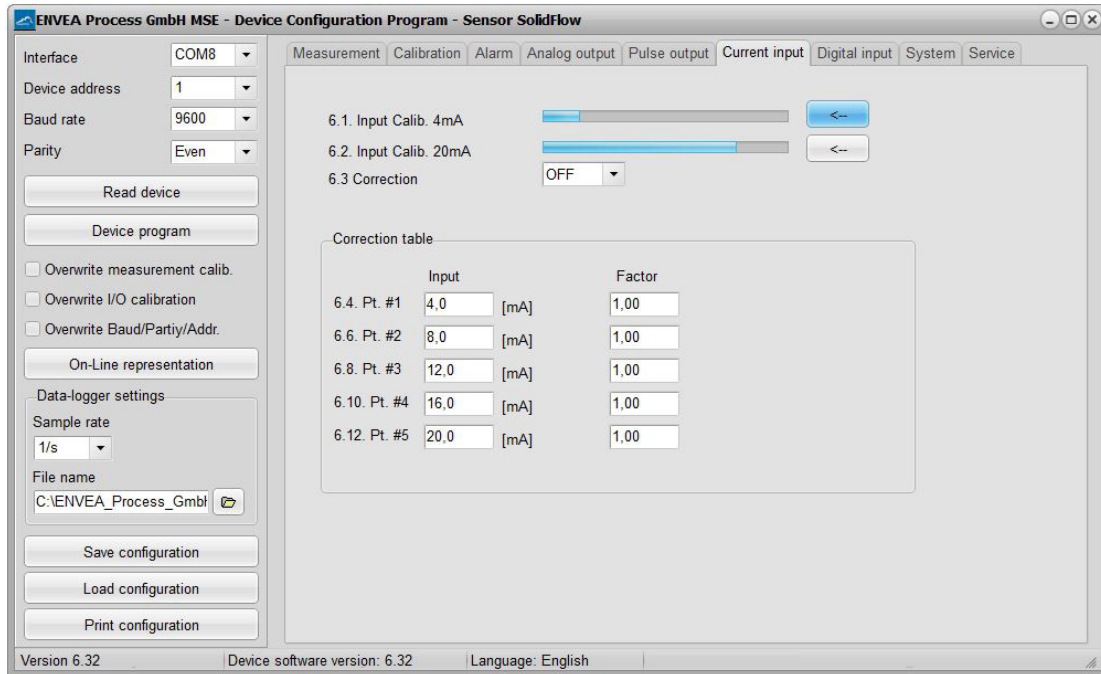
**Input:** 0.01 ... 99.9

Number of pulses per unit



## 6. Current input

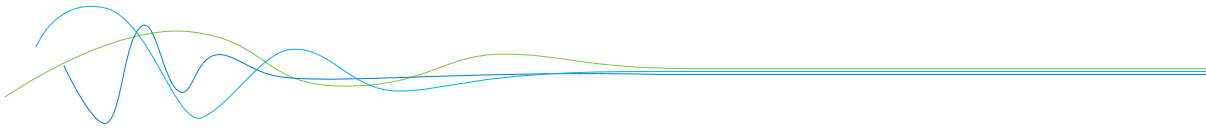
Possibility of autocorrection via external current signal.



**The connection of the current input is not galvanically isolated.**

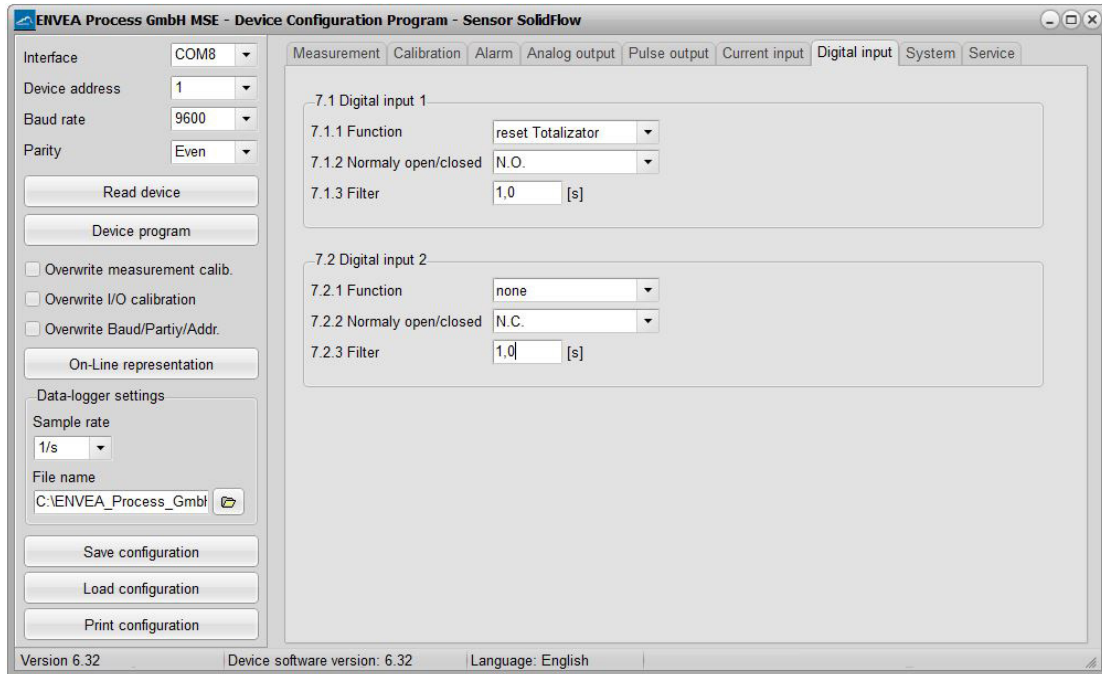
If the connection is incorrect, the CPU of the Evaluation unit can be destroyed. An external galvanic isolation, by current disconnecter or similar shall be provided.

|     |                         |  |  |
|-----|-------------------------|--|--|
| 6.1 | Input calibration 4 mA  | <b>Selection:</b><br>calibrate 4 mA input  | The 4 mA signal must be read in via key function.                          |
| 6.2 | Input calibration 20 mA | <b>Selection:</b><br>calibrate 20 mA input | The 20 mA signal must be read in via key function.                         |
| 6.3 | Correction              | <b>Selection:</b> ON / OFF                 | <b>ON:</b> Correction is activated.<br><b>OFF:</b> Correction is disabled. |
| 6.4 | P1-input                | <b>Input:</b> 4 mA ... 20 mA               | Enter the current strength to be used for correction.                      |
| 6.5 | P1-factor               | <b>Input:</b> 0.01 ... 10                  | Factor for adjustment of the actual measured value.                        |
| 6.n | Pn-input                | <b>Input:</b> 4 m A ... 20 mA              | Possibility of further current values and correction factor.               |
| 6.n | Pn-factor               | <b>Input:</b> 0.01 ... 10                  |  |



## 7. Digital input

Selection of function for external control.



7.1 Digital input 1

**Submenu**

7.1.1 Function

**Selection:**  
none / reset totaliser /  
AutoCal

**None:** Digital input disabled.

**Reset totaliser:** Totalisator would be reset to zero.

**AutoCal:** An auto calibration will be start.

7.1.2 Working direction

**Selection:** NO / NC

If necessary, invert the value of the input level.

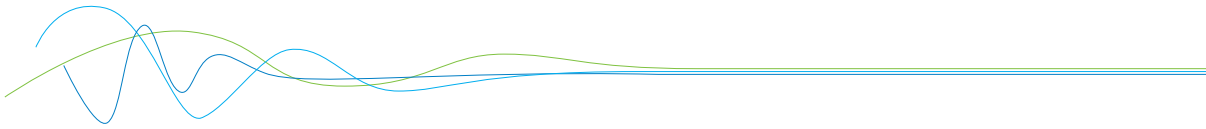
7.1.3 Filter

**Input:** 0.1 ... 99.9 s

Time during which the requested signal must remain pending.

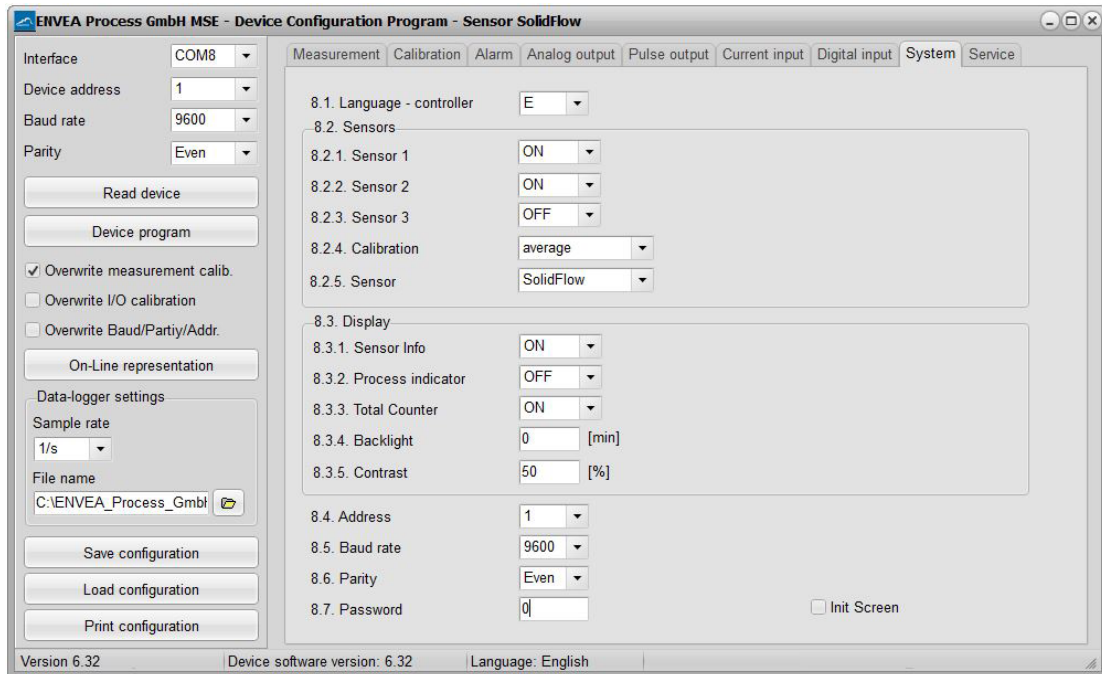
7.2 Digital input 2

**Same as digital input 1**

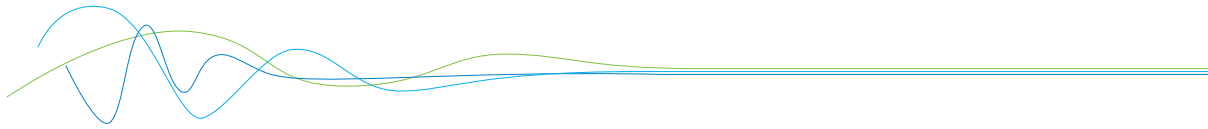


## 8. System

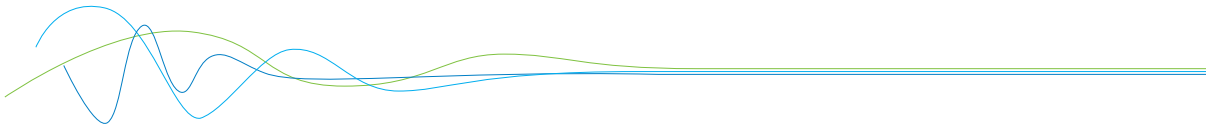
Basic adjustment of the system and Evaluation unit.



|       |             |   |   |
|-------|-------------|---|---|
| 8.1   | Language    | <b>Selection:</b> D / E / F                       | Language on the Evaluation unit   |
| 8.2   | Sensors     | <b>Selection:</b> Sensor function and calibration |   |
| 8.2.1 | Sensor 1    | <b>Selection:</b> on / off                        | <b>ON:</b> Sensor is evaluated.<br><b>OFF:</b> Sensor is ignored.   |
| 8.2.2 | Sensor 2    | <b>Selection:</b> on / off                        | <b>ON:</b> Sensor is evaluated.<br><b>OFF:</b> Sensor is ignored.   |
| 8.2.3 | Sensor 3    | <b>Selection:</b> on / off                        | <b>ON:</b> Sensor is evaluated.<br><b>OFF:</b> Sensor is ignored.   |
| 8.2.4 | Calibration | <b>Selection:</b> single / average                | <b>This function is used only for multi-sensor systems!</b><br><br><b>Single:</b> Calibration of single sensors: Each sensor is converted via an individual calibration table from the raw value to the throughput, after that the calculation of average throughput on the throughput values of the individual sensors is taking place.<br><br><b>(This function should only be used by trained personnel of ENVEA Process.)</b><br><br><b>Average:</b> Calibration by the average value from raw values: The throughput will be calculated with a common calibration table after forming the average from raw values. |

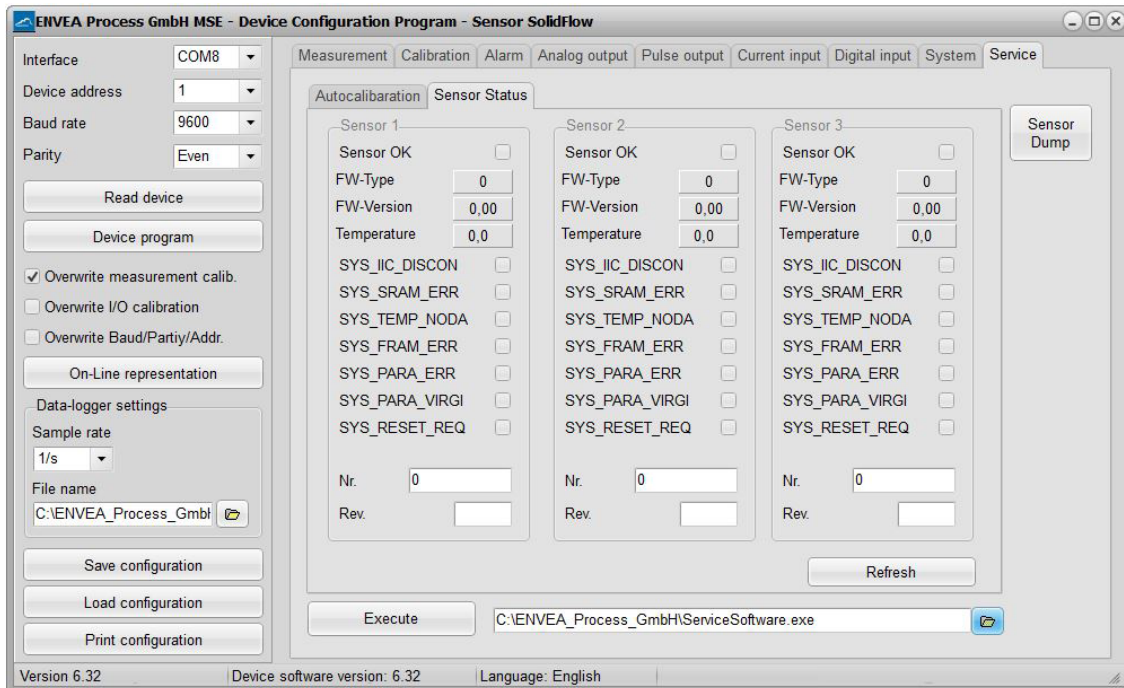


|       |                   |  |   |
|-------|-------------------|--|---|
| 8.2.5 | Sensor            | <b>Selection:</b><br>SolidFlow 2.0 / Paddy /<br>PicoFlow / MaxxFlow HTC /<br>DensFlow / SpeedFlow 2.0 /<br>SlideControl 2.0 / ProSens /<br>M-Sens 2 / M-Sens 3 /<br>M-Sens WR2 | The Evaluation unit verifies the availability of registered sensors on the selected type, calculates the measurement values on this basis and signals if necessary corresponding errors.<br>Incorrect sensor selection leads to a refusal to communicate. |
| 8.3.  | Display           | <b>Submenu</b>   |   |
| 8.3.1 | Sensor info       | <b>Selection:</b> ON / OFF   | <b>ON:</b> Show info key on display<br><b>OFF:</b> Hide info key  |
| 8.3.2 | Process indicator | <b>Selection:</b> ON / OFF   | <b>ON:</b> Process indicators will be shown on display and via double blink on the DIN Rail.<br><b>OFF:</b> Process indicators will not be shown.   |
| 8.3.3 | Totalisator       | <b>Selection:</b> ON / OFF   | <b>ON:</b> Totalisator will be shown on display.<br><b>OFF:</b> Totalisator will be hide.   |
| 8.3.4 | Backlight         | <b>Input:</b> 0 ... 99 min   | Lighting of the Display in minutes<br>0 = permanent lighting<br>99 = time selection for lighting  |
| 8.3.5 | Contrast          | <b>Input:</b> 0 ... 100 %  | In the case of display exchange, the contrast can be changed via the PC software, if necessary.   |
| 8.4   | Address           | <b>Input:</b> 1 ... 255  | ModBus address of Evaluation unit, if operated on a PLC or PC as a slave.   |
| 8.5   | Baud rate         | <b>Selection:</b><br>4800/9600/19200/<br>38400 baud  | Communication speed of the Evaluation unit when this is operated as a ModBus slave on a PLC or a PC.  |
| 8.6   | Parity            | <b>Selection:</b><br>Even/Odd/None   | The parity is set to <i>even</i> by default.<br>The parity is important for further communication. A change of the parity is only valid after a restart of the power supply.  |
| 8.7   | Password          | <b>Input:</b> 0 ... 9999   | 0000 = No password<br>XXXX = Four-digit password, which is queried when the menu is called up on the display. Automatic lock five minutes after the last display input.   |
| 8.8   | Init Screen       | <b>Selection:</b>  | If Init Screen is selected, the Evaluation unit is reset to factory settings after the next voltage reset.  |



## 9. Service

Display on the sensor status



The status of each connected sensor is displayed in menu **9. Service**. FW type, FW version, temperature, serial number and possible hardware errors are automatically read and displayed.

**Only according to instructions from personnel of ENVEA Process:**

If a detailed error analysis is necessary, a copy of all ModBus registers can be stored as a text file in the installation folder of the software by clicking on the **sensor dump**. This is only possible with the PC software.

In addition, a software with deeper access to the sensors can be started via the PC software.

On the touchscreen only the information of the individual sensor will be shown.

## 8. Start-up procedure

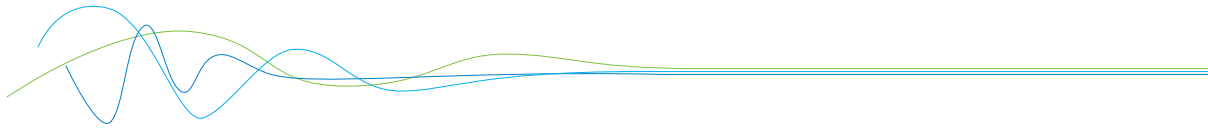
### 8.1 Basic start-up

Upon delivery, the sensor is not calibrated to the product to be measured and must be parameterised when started up. During the process, the mass flows measured by the sensor are assigned the display values and output quantities required by the user.

The following points must first be checked:

- Check sensor is flush with the internal surface of the pipeline.
- The correct connection between the sensor and the Evaluation unit.
- A warm-up time of approx. 5 minutes before starting calibration and after switching on the sensor's power supply.





At the beginning of the calibration, it must be checked whether the correct sensor is selected under the menu item **System**. If the correct sensor has been selected, the desired measuring range and the physical unit can be entered under **1. Measurement**. The **1.2 Unit** is a free text, there are 10 characters available.

The calibration of the system is carried out on at least two calibration points in **2. Calibration**.

|               |   |
|---------------|---|
| Min point     | The first calibration point will be set at running process, but without any product. For calibration of this zero point it must be given a "0" on <b>2.4.1 Val. P1</b> , afterward the RAW value ( <b>2.4.2 Calib. P1</b> ) must be calibrate. The RAW-value could be calibrated by reading the sensor directly or manually by calculate the RAW value over the datalogger in the software.   |
| Working point | During normal conveyance, the second point will be set. The flow rate will type in <b>2.4.3 Val. P2</b> and the RAW-value will be read direct under <b>2.4.4 Calib. P2</b> or could be calculate manually by using the datalogger in the software. The value can be corrected afterwards during weighing.<br><br>Once the calibration points have been saved, the transfer of the calibration parameters must be confirmed. On the Evaluation unit in the field housing, this is done by a security query when leaving the menu structure. In the software the checkmark on <b>Overwrite calibration</b> must be set. If the checkbox is set, the parameters can be transferred to the Evaluation unit by clicking on <b>device program</b> . |

***The device has thus performed its basic function and the measurements are displayed.***

|                           |  |
|---------------------------|--|
| Additional support points | If non-linearities occur when measuring with different flow rates, up to 5 support points can be selected in <b>2.3 calibration points</b> . These support points could be calibrated with different flow rates.<br><br>If an average calibration is performed, the procedure only has to be carried out once. If a single calibration is carried out, the calibration procedure must be carried out individually for each connected sensor. |
|---------------------------|--|

## 8.2 Data logger function in the software

To determine the raw values via the data logger function in the PC software, a file path must first be stored. The file path and file name can be selected after clicking on the folder icon (next to file name). Once the file path has been stored, it is still possible to change the storage rate. This is recommended for long-term logging. To determine the raw values for a calibration point, the default setting of 1 (raw value) per second is recommended.

To start the data logger, the **On-Line representation** must be opened. As soon as the tick is set by **Data logger activated** in the On-Line representation, the recording starts and the log file is created in the background.

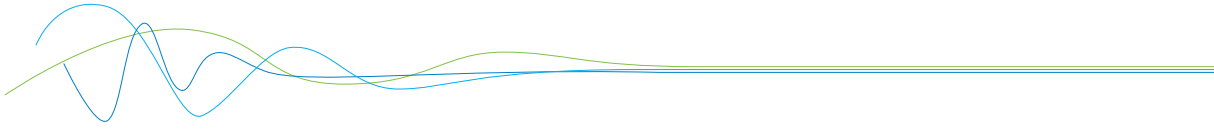
The data logger is only activated as long as the on-line representation is open. If the window of the on-line display or the entire software is closed, the data recording is aborted. If the data logger is activated, a message window also appears before the on-line representation is closed.

To evaluate the recorded log file, it must be opened with Excel or a similar program.

The content of each column of the log file is named in the first line.

In order to determine the appropriate raw value for a calibration point, the mean value must be determined from the time period of the coarse material addition, or from the stable "clean" material flow. The mean value can be calculated by Excel using the function =**AVERAGE()**. The calculated mean value of the raw value is then entered in the box next to **Raw value** in the configuration software.

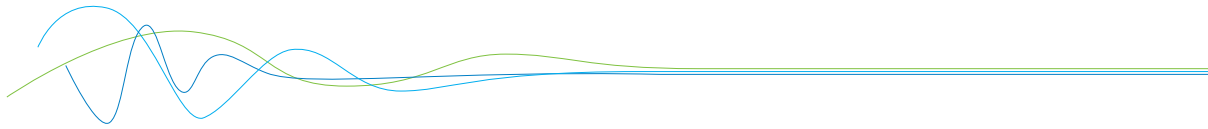
In order to transmit the determined parameters to the evaluation unit, the check mark **Overwrite calibration** must be set.



### 8.3 Adjusting the measurement values

The system's additional functions can be set in the following menus:

|                 |  |
|-----------------|--|
| Alarms          | Values for flow rate lower or upper limits can be set in <b>3. Alarm</b> .<br>A sensor monitoring alarm can also be activated here.  |
| Analogue output | The assignment of the analogue output values takes place in 4. analogue output. Upper and lower limit of the permitted current and the fault current are set here. The analogue output is an active signal. In the field housing version, analogue outputs 2 + 3 are provided for the MaxxFlo HTC. All other sensors provide their 4 ... 20 mA signal to analogue output 1.  |
| Pulse output    | Under <b>5. Pulse</b> output there is the possibility of using different impulses. A cleaning pulse can be used for a pneumatic cleaning on the sensor. For an external totaliser output there are impulses, which correspond to a specific conveyed mass. The pulse duration is 50 Hz, a faster query cannot be guaranteed. An internal totaliser function integrates the mass flow over time. The pulse output is an open collector and need an active power supply for pulsing. |
| Current input   | Various input currents can be stored under <b>6. Current input</b> . When the current is applied, the corresponding correction factor is applied to the measured value. The input current also must be adjusted here.  |
| Digital input   | In <b>7. Digital input</b> , the system's digital inputs can be assigned various functions and their working direction.  |
| System          | In <b>8. System</b> , functions such as selection of the menu language, the number of connected sensors and their average, the display screen or ModBus addressing and speed are summarised.   |
| Totaliser       | The entire flow volume since the last totaliser reset can be read with the totaliser function. A reset can be performed via an external control cable or directly via the display by pressing the R symbol.  |



## 9. Error signalling

For monitoring the availability a wide range of functions for self-diagnostics were integrated, in order to signal various errors:

### 1. Fatal error (ERR):

Fatal errors (ERR) always set the current output to the set alarm value. Technical problems or problems with the complete system are displayed on the touchscreen. An ERR require every time a replacement or repair of a component:

- Failure of the communication to a sensor (sensor failure)
- Failure of a subcomponent of a sensor (temperature monitoring, heating control, memory, data consistency etc. on the sensor)
- Inconsistency of signal paths in the sensor (the amplifier stages, DC offsets)

### 2. Process indicators (PROC):

Process indicators (PROC) are merely a violation of the set parameters and are to be understood as information to improve the measuring process. Process indicators are not output at the current output, but can be displayed on the display (field housing) or the RUN LED (DIN Rail) as well as optionally on the relay:

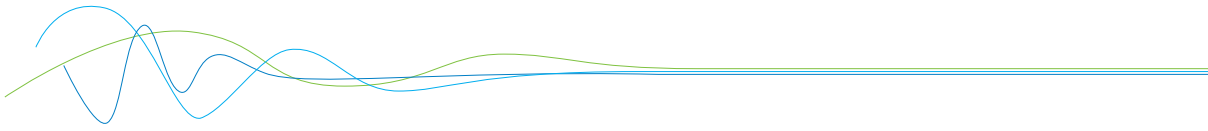
- Temperature instability in the sensor due to thermal stress from outside (over-temperature, low temperature)
- Overload of the sensor caused by material flow (too much, too little)

**Process indicators** show if necessary temporary appearing oddities in the process, which can be avoided with a better adjustment of sensor parameters or conveying parameters. They thus deliver more an indication of potential for optimization at the measuring point.

| Type of fault             | Display (field housing)   | Run-LED (DIN Rail)        | Relay (optional)  | Current output  |
|---------------------------|---|---------------------------|---|---|
| No fault                  | Sensor status OK on the information display (Button [I])                                | Single flash every second | Normal state  | 4 ... 20 mA   |
| PROC (process indicators) | Display with indicator code in the bottom display line; advanced information on key [I] | Double flash every second | Activated, when Relais-Alarm-Option PROC is chosen        | 4 ... 20 mA   |
| ERR (fatal errors)        | Display with error code in the bottom display line; advanced information on key [I]     | Triple flash every second | Activated, when Relais-Alarm-Option PROC or ERR is chosen | 2 mA (or for the current output adjusted, chosen alarm value) |

**Error codes:** Error and indicator codes are composed of the letter E (ERR = error), P (PROC = process indicator) and a three-digit hexadecimal value from "000" to "FFF". From the displayed code the cause can be investigated.

**Time out error:** In order not to complicate the start up of a process plant by process- or heating status errors, nonfatal errors will be signalled only after a period of about 5 minutes after a reset of the measuring system at the outputs. The time-out period is visible in a small "t" in the left upper corner of the display (field housing only).



## 9.1 Compatibility

For the SolidFlow 2.0 systems three different software versions for the Evaluation unit and associated PC software are available.

**Technical innovations have caused a supplement of new functions, so that only the corresponding versions can be used together on Evaluation unit and PC:**

| Sensor            | Evaluation unit<br>(field housing or DIN Rail) | PC software           |
|-------------------|--|-----------------------|
| All SolidFlow 2.0 |  |                       |
|                   | all Evaluation units with FW version 3.xx      | Versions up to V.5.01 |
|                   |  |                       |
|                   | all Evaluation units from FW version 5.03      | Versions from V.5.03  |
|                   |  |                       |
|                   | all Evaluation units from FW version 6.xx      | Versions from V.6.01  |

## 9.2 History of versions

### FW V.3.xx / V.5.01:

- fully functional release for Evaluation unit and PC

### FW V.5.03 / V.5.03:

- improvement of error monitoring (ERR, PROC)
- change from fixed point to floating-point values in the calibration table
- introduction of product variant PicoFlow
- zero drift detection for the current output
- parameters KA for rope compensation
- error-timeout for the reset

### FW V.6.00 / V.6.01

- introduction of further products
- current input for auto correction
- pulse output for control of solenoid valves for pneumatic cleaning
- possibility to calibrate a low flow
- improved error signalling

### FW V.6.32 / V.6.01

- Neues Design
- Einführung weiterer Produktvarianten
- Einstellmöglichkeit Parity

## 10. Maintenance



### Warning!

- Switch the power supply off before performing any maintenance or repair work on the measuring system. The transport pipe must not be operational when replacing the sensor.
- Repair and maintenance work may only be carried out by electricians.
- The system requires no maintenance.

## 11. Warranty

On condition that the operating conditions are maintained and no intervention has been made on the device and the components of the system are not damaged or worn, the manufacturer provides a warranty of 1 year from the date of delivery.

In the event of a defect during the warranty period, defective components will be replaced or repaired at ENVEA - SWR engineering's plant free of charge as considered appropriate. Replaced parts will become ENVEA Process property. If the parts are repaired or replaced at the customer's site at its request, the customer must pay the travel expenses for ENVEA Process service personnel.

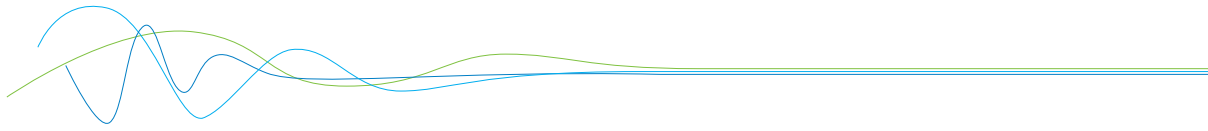
ENVEA Process cannot accept any liability for damage not suffered by the goods themselves and in particular ENVEA - SWR engineering cannot accept liability for loss of profit or other financial damages suffered by the customer.

## 12. Fault clearance



- **Warning!**  
The electrical installation may only be inspected by trained personnel.

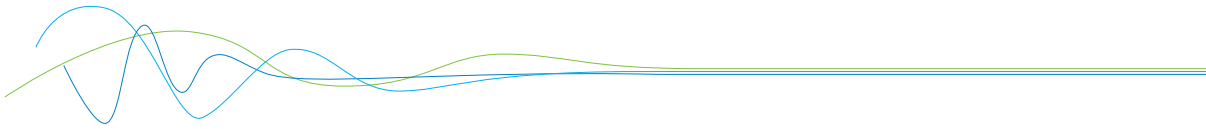
| Error  | Cause   | Action   |
|--|---|--|
| Measuring system does not work.  | Power supply interrupted.                                 | Check the power supply.  |
| POW LED does not light up.   | Cable break.  | Check the connection cables for a possible cable break.                    |
| RUN LED does not light up.   | Defective fuse.   | Replace fuse.  |
| Measuring system does not work.<br>POW LED does light up.<br>RUN LED does not light up.            | Defective device.   | Notify ENVEA Process and rectify the error as instructed on the telephone. |
| Measuring system does not work.<br>POW LED does light up.<br>RUN LED does not light up.            | Microprocessor does not start.                            | Switch the power supply off and on again.<br>Remove programming cable.     |
| Measuring system works.<br>POW LED does light up.<br>RUN LED flashes two or three times per cycle. | No sensor communication.                                  | Sensor defective.<br>Cable break between sensor and measuring system.      |
|  | Sensor connected incorrectly.                             | Check connection cable.  |
|  | Sensor defective.   | Replace sensor.  |
|  | Sensor not receiving 24 V supply.                         | Make sure the power supply is connected.                                   |
|  | Excessive voltage drop in the supply cable to the sensor. | Check cable lengths.   |
|  | Error code on display available.                          | Further error diagnosis by error code.                                     |
| Measuring system outputs incorrect values.   | Calibration incorrect.                                    | Perform a recalibration.   |
|  | Calibration shifted by abrasion on the sensor head.       | Perform a recalibration.   |
| Switch output relay chatters.  | Hysteresis too low.                                       | Increase hysteresis. Check for fault caused by external consumer.          |
| <b>The warranty will be rendered void if you open the device.</b>                                  |   |  |



## 12.1 Error codes

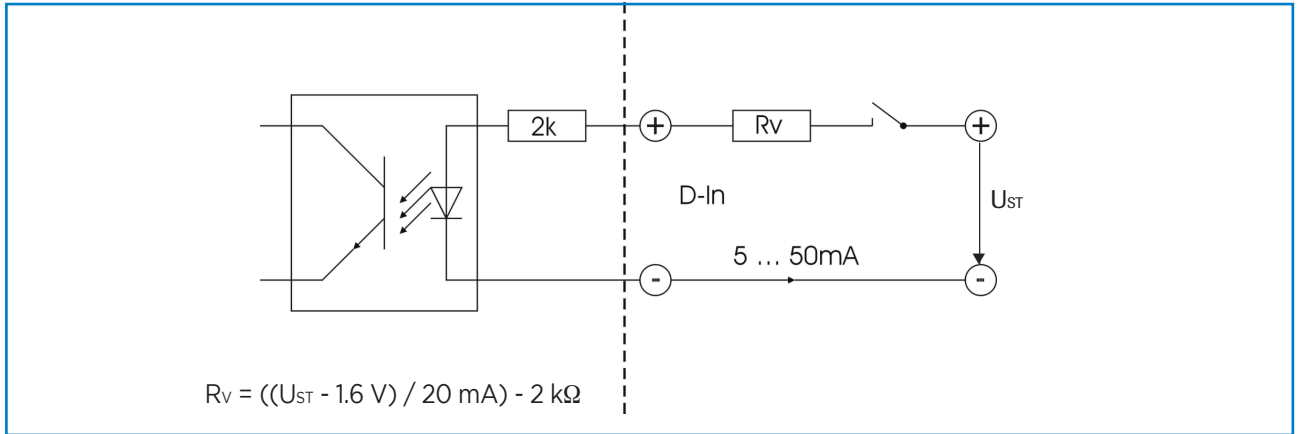
| Type | Code | DIN Rail flashing | Current output | Cause  | Action   |
|------|------|-------------------|----------------|--|--|
| ERR  | DISC | 3                 | 2 mA           | Wrong sensor connection, wrong sensor or sensor would not detect | Proof of cabling, voltage, earthing and software parameter |
| ERR  | ID   | 3                 | 2 mA           | Sensor respond with wrong ID                                     | Check if the correct sensor is chosen in the menu          |
| ERR  | E002 | 3                 | 2 mA           | Defective data bus   | Turn power off / on.<br>If not helpfully sensor exchange   |
| ERR  | E020 | 3                 | 2 mA           | Defective memory   | Turn power off / on.<br>If not helpfully sensor exchange   |
| ERR  | E040 | 3                 | 2 mA           | Defective internal temperature measurement                       | Turn power off / on.<br>If not helpfully sensor exchange   |
| ERR  | E080 | 3                 | 2 mA           | Defective parameter memory                                       | Turn power off / on.<br>If not helpfully sensor exchange   |
| ERR  | E100 | 3                 | 2 mA           | Parameter table not readable                                     | Turn power off / on.<br>If not helpfully sensor exchange   |
| ERR  | E200 | 3                 | 2 mA           | Parameter table not written                                      | Turn power off / on.<br>If not helpfully sensor exchange   |
| ERR  | E400 | 3                 | 2 mA           | Rest request not executable                                      | Turn power off / on.<br>If not helpfully sensor exchange   |
| ERR  | E001 | 3                 | 2 mA           | Defective internal amplifier (DC Offset)                         | Turn power off / on.<br>If not helpfully sensor exchange   |
| ERR  | E200 | 3                 | 2 mA           | Defective internal amplifier (channel)                           | Turn power off / on.<br>If not helpfully sensor exchange   |
| ERR  | UT-K | 3                 | 2 mA           | Critical low temperature, no output measuring value              | Proof heater, wait for heating time, insulate cold sources |
| ERR  | OT-K | 3                 | 2 mA           | Critical high temperature, no output measuring value             | Insulate hot sources                                       |
| PROC | UT   | 2                 | 4 ... 20 mA    | Low temperature, Warning: unreliable output measuring value      | Proof heater, wait for heating time, insulate cold sources |
| PROC | OT   | 2                 | 4 ... 20 mA    | High temperature, Warning: unreliable output measuring value     | Insulate hot sources                                       |
| PROC | P010 | 2                 | 4 ... 20 mA    | Measuring value low limit  | Adjust alarm value, for test increase the material flow    |
| PROC | P040 | 2                 | 4 ... 20 mA    | Measuring value high limit                                       | Adjust alarm value, for testing reduce the mass flow       |
| PROC | P000 | 2                 | 4 ... 20 mA    | Measuring value deliver zero quality                             | Proof build in situation and material flow                 |

A detailed error description and following troubleshooting can be carried out by trained ENVEA Process technicians.

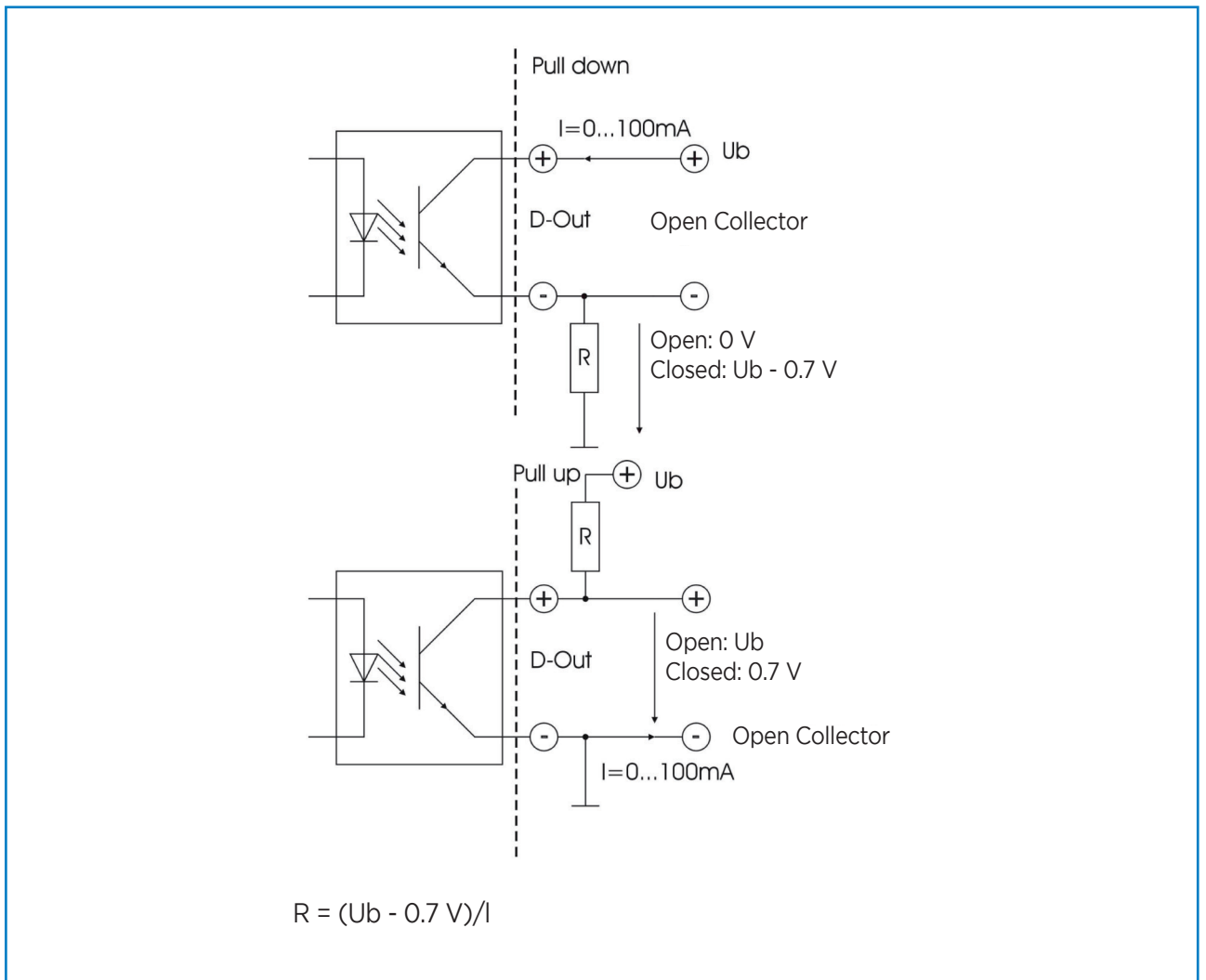


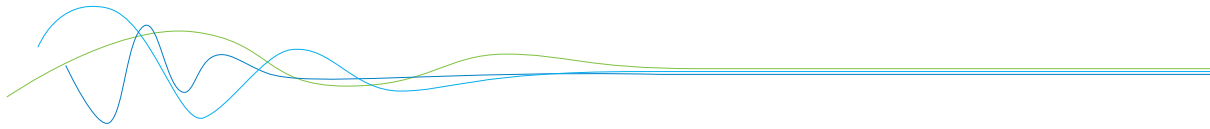
### 13. Connection examples

#### 13.1 Digital input



#### 13.2 Impulse output





## 14. Technical data

|  |   |
|--|---|
| <b>Sensor</b>                            |   |
| Housing                                  | Stainless steel 1.4571  |
| Protection category                      | IP65, DustEx zone 20 or GasEx zone 1 (optional)   |
| Operating temperature                    | Front end of sensor: -20 ... +80 °C - Optional: -20 ... +200 °C<br>Sensor electronic: 0 ... +60 °C  |
| Max. working pressure                    | 1 bar, optional 10 bar  |
| Working frequency                        | K-Band 24.125 GHz, ± 100 MHz  |
| Transmitting power                       | Max. 5 mW   |
| Weight                                   | 1.3 kg  |
| Dimensions                               | Ø 60, Ø 20, L 271 mm  |
| Accuracy                                 | ± 2 ... 5 % in calibrated range   |
| <b>Evaluation unit MSE 300-FH</b>        |   |
| Power supply                             | 110/230 V, 50 Hz (optional 24 V DC)   |
| Power consumption                        | 20 W / 24 VA  |
| Protection category                      | IP65 to EN 60 529/10.91   |
| Ambient operating temperature            | -10 ... +45 °C  |
| Dimensions                               | 258 x 237 x 174 (W x H x D)   |
| Weight                                   | Approx. 2.5 kg  |
| Interface                                | RS 485 (ModBus RTU) / USB   |
| Cable screw connectors                   | 3 x M20 (4.5 - 13 mm Ø)   |
| Connection terminals cable cross-section | 0.2 - 2.5 mm <sup>2</sup> [AWG 24-14]   |
| Current output                           | 3 x 4 ... 20 mA (0 ... 20 mA), load < 500 Ω (Active)  |
| Relay contact                            | Max. rated load: 250 V AC<br>Max. peak current: 6 A<br>Max. rated load 230 V AC: 250 VA<br>Max. breaking capacity DC1: 3/110/220 V: 3/0.35/0.2 A<br>Min. switching load: 500 mW (10 V/5 mA) |
| Data backup                              | Flash memory  |
| Pulse output                             | Open Collector - max. 30 V, 20 mA   |
| <b>Evaluation unit MSE 300-DR</b>        |   |
| Power supply                             | 24 V DC ± 10 %  |
| Power consumption                        | 20 W / 24 VA  |
| Protection type                          | IP40 to EN 60 529   |
| Ambient operating temperature            | -10 ... +45 °C  |
| Dimensions                               | 23 x 90 x 118 (W x H x D)   |
| Weight                                   | Approx. 172 g   |
| Interface                                | RS 485 (ModBus RTU) / USB   |
| DIN Rail fastening                       | DIN 60715 TH35  |
| Connection terminals cable cross-section | 0.2 - 2.5 mm <sup>2</sup> [AWG 24-14]   |
| Current output                           | 1 x 4 ... 20 mA (0 ... 20 mA), load < 500 Ω (Active)  |
| Relay contact                            | Max. rated load: 250 V AC<br>Max. peak current: 6 A<br>Max. rated load 230 V AC: 250 VA<br>Max. breaking capacity DC1: 3/110/220 V: 3/0.35/0.2 A<br>Min. switching load: 500 mW (10 V/5 mA) |
| Data backup                              | Flash memory  |
| Pulse output                             | Open Collector - max. 30 V, 20 mA   |



### ENVEA Process GmbH

Gutedelstraße 31 · 79418 Schliengen (Germany)

Fon +49 7635 827248-0 · Fax +49 7635 827248-48 · [www.envea.global](http://www.envea.global)

PART OF THE ENVEA GROUP

